

# Montego, Calypso I, Calypso II Rio, & Tango

**INSTALLATION, OPERATION &  
MAINTENANCE INSTRUCTIONS**

**Sundance  
Spas<sup>®</sup>**



---

## Table of Contents

---

Important Spa Owner Information .....	2
Important Safety Instructions .....	3
Locating Your Sundance Spa .....	6
General Electrical Safety Instructions .....	7
Electrical Installation Instructions - 240V .....	9
Tango 110V Service Connection.....	10
Power Supply Options and Requirements .....	11
Start Up Instructions.....	12
Operating Instructions .....	14
Light .....	14
Jets .....	15
Selecting the Desired Massage Action .....	15
Air Controls .....	16
Air Injection & Aromatherapy .....	16
Choosing the “Standard” or “Economy” Mode .....	16
Automatic Filtration & Preheating .....	17
Programming Instructions.....	18
Adjusting Time of Day .....	18
Changing Filter Cycles .....	18
Spa Maintenance .....	19
Cleaning the Filter.....	19
Draining & Refilling.....	20
Cleaning the Interior of the Spa.....	21
Pillow Care.....	21
Maintaining the Wood Cabinet.....	21
Maintaining the Cover .....	21
Winterizing.....	22
Re-Starting Your Spa in Cold Weather .....	22
Water Quality Maintenance.....	23
pH Control.....	23
Sanitizing.....	23
Other Additives .....	23
Optional SunZone® Water Purification System .....	24
Optional PermaClear™ Water Maintenance System .....	24
Electrical Wiring Diagrams .....	26
Troubleshooting.....	24
Display Messages.....	24
Troubleshooting Procedures.....	27

## Important Spa Owner Information

**Your Sundance spa is constructed of the highest standards and is capable of providing many years of trouble-free use. However, because heat retentive materials are utilized to insulate the spa for efficient operation, an uncovered spa surface directly exposed to sunlight and high temperatures for an extended period is subject to permanent damage. Damage caused by exposing the spa to this abuse is not covered by warranty. We recommend that you always keep the spa full of water when it is exposed to direct sunlight and that you keep the Sundance insulating cover in place at all times when the spa is not in use. Read and carefully follow the requirements for your spa's support base (found in the section titled, "Locating Your Sundance Spa").**

**Sundance Spas constantly strives to offer the finest spas available, therefore modifications and enhancements may be made which affect the specifications, illustrations and/or instructions contained herein.**

# IMPORTANT SAFETY INSTRUCTIONS

When installing and using this equipment, basic safety precautions should always be followed, including the following:

- 1. READ AND FOLLOW ALL INSTRUCTIONS BEFORE OPERATING THE SPA!**
- 2. DANGER** – To reduce the risk of injury, do not permit children to use this product unless they are closely supervised at all times.
- 3. WARNING – RISK OF CHILD DROWNING.** Extreme caution must be exercised to prevent unauthorized access by children. To avoid accidents, ensure that children cannot use a spa or hot tub unless they are supervised at all times.
- 4. DANGER** – To reduce the risk of injury, do not remove the main drain suction grate or cover.
- 5. DANGER** – A wire connector marked “ground” is provided within the power box (See Ill. 2). To reduce the risk of electric shock, connect this terminal or connector to the grounding terminal of your electrical service or supply panel with a continuous green insulating copper wire equivalent in size to the circuit conductors supplying this equipment, but no smaller than No. 8 AWG. In addition, a second wire connector is provided for bonding to local ground points. To reduce the risk of electrical shock, this connector should be bonded with a No. 8 AWG (8.4 mm<sup>2</sup>) copper wire to any metal ladders, water pipes, or other metal within five feet (1.52 m) of the spa.
- 6. DANGER – RISK OF ELECTRICAL SHOCK,** Install at least five feet (1.52 m) from all metal surfaces.

(A spa may be installed within five feet of metal surfaces, if in accordance with the National Electrical Code, ANSI/NFPA 70, EACH metal surface is permanently connected by a No. 8 AWG (8.4 mm<sup>2</sup>) copper conductor attached to the wire connector on the terminal box that is provided for this purpose.)

- 7. CAUTION** – This spa must be hardwired to your household electrical service box only. Do not use an extension cord or any other disconnectable power cord. The use of an extension cord or a disconnectable power cord is highly dangerous and will void all warranties!

8. INSTALLATION -- The spa must be installed in such a manner as to provide drainage of the compartment for electrical components.
9. DANGER – RISK OF ELECTRIC SHOCK. Do not permit any electric appliance such as a light, telephone, radio, or television within 5 feet (1.52 m) of the spa.
10. The water in a spa or hot tub should never exceed 40° C (104° F). Water temperatures between 38° C (100° F) and 40° C (104° F) are considered safe for a healthy adult. Lower water temperatures are recommended for extended use (exceeding 10 -15 minutes) and for young children.
11. Since excessive water temperatures have a high potential for causing fetal damage during the early months of pregnancy, pregnant or possible pregnant women should limit spa or hot tub water temperatures to 38° C (100° F).
12. Before entering a spa or hot tub the user should measure the water temperature with an accurate thermometer since the tolerance of water temperature-regulating devices may vary as much as ±3° C (5° F).
13. The use of alcohol, drugs, or medication before or during spa or hot tub use may lead to unconsciousness with the possibility of drowning.
14. Persons suffering from obesity or with a medical history of heart disease, low or high blood pressure, circulatory system problems, or diabetes should consult a physician before using a spa or hot tub.
15. Persons using medication should consult a physician before using a spa or hot tub since some medication may induce drowsiness while other medication may affect heart rate, blood pressure, and circulation.
16. The electrical supply for this product must include a suitably rated switch or circuit breaker to open all ungrounded supply conductors to comply with Section 422-20 of the National Electrical code, ANSI/NFPA 70. The disconnecting means must be readily accessible to the spa's occupant but installed at least 5 feet (1.5 m) from spa water.
17. Always enter and exit slowly and cautiously. Wet surfaces will be slippery
18. Long exposures in the spa may result in nausea,dizziness or fainting. Observe a reasonable time limit, leave the spa, then shower, cool down, and if you wish, return for another brief stay.
19. Do not use the spa alone.
20. It is recommended that the following emergency telephone numbers be listed at the nearest telephone: physician, hospital, ambulance and police.

21. Excessive temperatures may cause hyperthermia. The symptoms and first aid information are as follows:

**HEAT STROKE:** The most susceptible people are the very young and elderly, alcoholics and most people under the influence of drugs, medication and alcohol.

**SYMPTOMS:** Hyperthermia causes loss of salt, sweating, ordinary dizziness, headache, dryness of mouth and nausea, faintness and/or unconsciousness, convulsions, flushed appearance of skin and rapid pulse and/or weak, shallow breathing.

**TREATMENT:** Place the victim on his back, head slightly elevated. Apply wet cloths or ice packs to the head, wrap the body in a sheet, pouring on a small amount of water. Follow with a cool shower or bath. Get medical attention as soon as possible.

## 22. **SAVE THESE INSTRUCTIONS!**

---

## Locating Your Sundance Spa

---

### **Tango Model Only**

A Tango model to be connected to 110V electrical service must be located near enough to a grounded, grounding type electrical outlet so that the power cord included can be plugged directly into it. **DO NOT USE AN EXTENSION CORD** as this could cause damage to the spa's equipment due to insufficient voltage. The power supplied to this spa must be a dedicated circuit with no other appliances or lights sharing the power provided by the circuit. To prepare your Tango for connection to 110V service, refer to the instructions on page 10.

**IMPORTANT:** Because of the combined weight of the spa, water and users, it is extremely important that the base upon which the spa rests be smooth, flat, level and capable of uniformly supporting this weight, without shifting or settling, for the entire time the spa is in place. If the spa is placed on a surface which does not meet these requirements, damage to the skirt and/or the spa shell may result. Damage caused by improper support is not covered under warranty. It is the responsibility of the spa owner to assure the integrity of the support over time.

We recommend a poured, reinforced concrete slab (minimum of 4 inches thick). Wood decking is also acceptable provided it is constructed so that it meets the requirements outlined above.

The spa must be installed in such a manner as to provide drainage away from the spa. Placing the spa in a depression without provisions for proper drainage could allow rain, overflow and other casual water to flood the equipment and create a wet condition in which it would sit.

For spas which will be recessed into a floor or deck, install so as to permit access to the equipment, either from above or below, for servicing. Make certain that there are no obstructions which would prevent removal of the cabinet side panels, especially on the side with the equipment bay doors.

In selecting the ideal *outdoor* location for your spa, we suggest that you take into consideration 1) the proximity to change area and shelter (especially in colder weather); 2) the pathway to and from your spa (this should be free of debris so that dirt and leaves are not easily tracked into the spa); 3) the closeness to trees and shrubbery (remember that leaves and birds could create extra work in keeping the spa clean); 4) a sheltered environment (less wind and weather exposure can result in lowered operation and maintenance costs); and 5) the overall enhancement of your environment. It is preferable not to place the spa under an ungluttered roof overhang since run-off water will shorten the life expectancy of the spa cover.

For *indoor* installations, be certain to make provisions for proper ventilation. When the spa is in use, considerable amounts of moisture will escape. This can damage certain surfaces over time.

If you have any questions regarding the placement or installation of your spa consult your authorized Sundance Dealer.



---

## General Electrical Safety Instructions

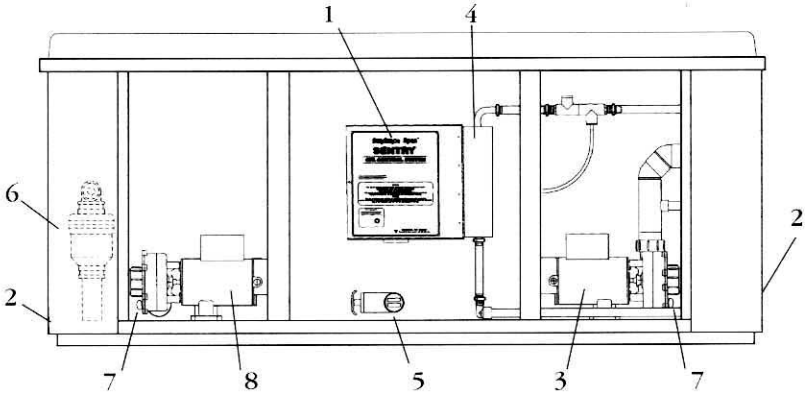
---

Your new Sundance spa is equipped with the "state-of-the-art" Sentry™ equipment system. It contains the most advanced safety and self-protective equipment in the industry. Nonetheless, this spa must be installed properly to insure dependable usage. Please contact your dealer or local building department should you have any questions regarding your installation. In the event they are unable to answer your questions, direct your inquiries to Sundance Spas. Please refer to the back of this manual for our address and telephone number.

Proper grounding is extremely important. Sundance spas are equipped with a current collector system. A pressure wire connector is provided on the surface of the control box, located inside the equipment door (Ill. 2, item 2) to permit connection of a bonding wire between this point and any ground metal equipment, metal water pipe or conduit within 5 feet of the spa, or copper clad grounding rod buried within 5 feet of the spa. Bonding wire must be at least No. 8 AWG (8.4 mm<sup>2</sup>) solid copper wire. This is a most important safety assurance feature.

Before installing this spa, check with the local building department to insure installation conforms to local building codes.

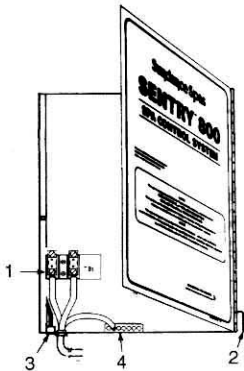
### III. No. 1 Equipment Bay



- |                          |                                      |
|--------------------------|--------------------------------------|
| 1. Sentry Control Box    | 6. Air Blower                        |
| 2. Power Supply Entrance | 7. Pump Drain Plug(s)                |
| 3. Pump                  | 8. Pump #2<br>(Calypso II & Montego) |
| 4. Heater                |                                      |
| 5. Spa Drain             |                                      |

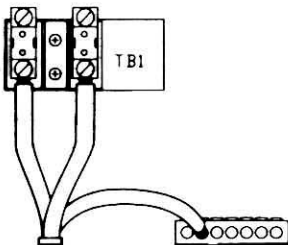
(Location of components may vary by model.)

### III. No. 2 Sentry Control Box

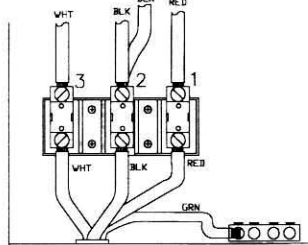


1. Terminal Strip
2. Bonding Lug
3. Receptacle for Ozone Purification System
4. Grounding Terminal

### III. No. 3.0 240V Wire Connection Montego, Calypso I & II, Rio



### III. No. 3.1 240V Wire Connection Tango Only



(IMPORTANT: Move RED wire from pos. #3 to pos. #1)

---

## Electrical Installation Instructions

### For Connection to 240V Service

---

(Note: The Tango model may be connected to 110V service. See the instructions on next page)

**IMPORTANT NOTICE:** The electrical wiring of this spa must meet the requirements of the National Electrical Code (NEC) and any applicable state or local codes. The electrical circuit must be installed by a qualified electrician and approved by a local building/electrical inspection authority.

1. This spa must be permanently connected (hard-wired) to the power supply. **No plug-in connections or extension cords are to be used in conjunction with the operation of this spa.** Supplying power to the spa which is not in accordance with these instructions will void both the independent testing agency listing and the manufacturer's warranty.
2. The power supplied to this spa *must* be a *dedicated* circuit with no other appliances or lights sharing the power provided by the circuit.
3. To determine the current, voltage and wire size required, refer to the power supply table on page 26.
  - Wire size must be appropriate per NEC and/or local codes.
  - We recommend type THHN wire.
  - All wiring must be copper to ensure proper connections. Do not use aluminum wire.
  - When using wire larger than #6, add a junction box near the spa and reduce to short lengths of #6 wire to connect to the spa.
4. The electrical supply for this product must include a suitably rated switch or circuit breaker to open all ungrounded supply conductors to comply with Section 422-20 of the National Electrical Code, ANSI/NFPA 70. The disconnecting means must be readily accessible to the spa's occupant but installed at least 5 feet (1.5 m) from spa water.
5. The electrical circuit supplied for the spa must include a suitable ground fault circuit interruptor (GFCI) as required by NEC Article 680-42
6. To gain access to the spa's power terminal strip, remove the four screws securing the center cabinet panel on the side of the spa under the controls. Then open the door to the control box. (Ill. 1, item 1).
7. Select the power supply inlet you want to use (Ill. 1, item 2) and remove the short cabinet panel from the front of the spa to allow you to feed the cable through to the control box. Install the cable with connector through the large opening provided in the bottom of the control box.
8. Connect wires, color to color, on terminal strips TB1 and TB3 (Ill. 1 item 3.0 or 3.1). **TIGHTEN SECURELY!** All wires must be hooked up or damage could result.
9. Close the control box door and reinstall the cabinet side panels.

---

## Tango 110V Service Connection

---

Unless your dealer has already done so, you will need to prepare the spa's power cord by following these steps:

1. Remove the center cabinet side panel directly under the spa's control panel.
2. Open the Sentry control box door (Ill. 1, item 1).
3. Locate the spa's power cord and carefully note where each of its different colored wires are connected.
4. Remove the spa's power cord by loosening the screws securing the wires to the terminals and pulling the power cord out of the access hole.
5. Determine which of the two power supply entrances works best for your situation (Ill. 1, item 2).
6. Feed the bare wire end of the power cord into the appropriate power supply entrance.
7. Remove the cabinet side panel adjacent to the one you previously removed to allow you to continue feeding the cord through to the control box.
8. Feed the cord into the control box and reconnect the wires to the same terminals as before. Be sure to securely tighten all screws.
9. Close the control box door and re-install the cabinet side panels.

**Refer to additional instructions in box on page 6.**

**Table No. 1  
POWER SUPPLY OPTIONS AND REQUIREMENTS**

Sundance spas are designed to provide optimum performance and flexibility of use when connected to the maximum electrical service as listed below. However, they are shipped configured for the most commonly preferred electrical connection -- 50A, 240V (except Tango, which is shipped configured with 15A, 110V).

If you prefer, your Sundance dealer can perform a minor circuit board modification to allow the spa to accept different electrical service. The operational considerations of these modifications are listed in the footnotes below.

**MONTEGO & CALYPSO II MODELS**

	<b>240V/30A(2)</b>	<b>240V/50A(1)</b>	<b>240V/60A</b>
Voltage	240 volts	240 volts	240 volts
Current Draw	22 amps	40 amps	48 amps
Number of Wires	Three	Three	Three
Circuit Breaker	30 amp dual pole	50 amp dual pole	60 amp dual pole

**CALYPSO I & RIO MODELS**

	<b>240V/30A(2)</b>	<b>240V/50A</b>
Voltage	240 volts	240 volts
Current Draw	22 amps	40 amps
Number of Wires	Three	Three
Circuit Breaker	30 amp dual pole	50 amp dual pole

**TANGO MODEL (3)**

	<b>120V/15A</b>	<b>240V/30A(2)</b>	<b>240V/40A(4)</b>
Voltage	120 volts	240 volts	240 Volts
Current Draw	12 amps	22 amps	28 amps
Number of Wires	Three (20 amp cord)	Four	Four
Circuit Breaker	15 amp	30 amp dual pole	40 amp dual pole

(1) In 50A configuration, the heater will not operate while both pumps are operating at high speed.

(2) In 30A configuration, the heater will not operate at the same time as the high speed of either pump or the air blower.

(3) For 240V connection of the Tango, move the red wire from position #3 to position #1 on the terminal block.

(4) If the Tango is to be operated on 40A service, remove the jumper at location JP9-11 on the circuit board. (30A, 240V operation increases the output capacity of the heater four-fold compared to 110V. However, the heater cannot operate when the pump is on high speed. 40A, 240V operation allows the heater to operate at the same time as the pump's high speed.)

---

## Start Up Instructions

---

**FOR BEST RESULTS, READ EACH STEP IN ITS ENTIRETY BEFORE PROCEEDING WITH THAT STEP.**

### 1. PREPARE THE SPA FOR FILLING

- Clear all debris from the spa. (Although the spa shell has been polished at the factory, you may want to treat it with a specially formulated spa cleaner and wax available from your dealer prior to filling the first time.)
- Remove the filter lid (Ill. 5, item 3), then remove the filter cartridge by loosening the retainer nut on the pipe at one end of the filter and sliding the filter toward the nut until the other end is free. Lift the filter out as you pull it away from the filter pipe.

### 2. FILL THE SPA

- Place the end of your garden hose into the pipe exposed when you removed the filter cartridge.

**NOTE:** Never fill with water from a water softener. If your water is extremely "hard", it is preferable to fill half-way with hard water and the rest of the way with softened water. Or, you may fill entirely with hard water if you use a special water additive available from your Sundance dealer.

- Fill the spa until the water level is midway in the skimmer opening and above all jets.

**Important:** Always fill your spa through the filter pipe after draining. Failure to do so may cause air to be trapped in the pump, preventing the pump from circulating water.

- Remove the hose and replace the filter cartridge by sliding it back onto the pipe then securing one of the protruding tabs on the other end under the retainer bracket. Tighten the retainer nut only until it is snug-do not over tighten.

### 3. TURN ON THE POWER

Turn on the power to the spa at the home's circuit breaker. The heater and the pump's low speed automatically activate and the LED display on the control panel shows the water temperature.

### 4. ACTIVATE JETS

Depress the **JETS** sensor pad on the control panel twice to activate the pump's high speed and initiate maximum water flow to certain jets.

### 5. ADD START-UP CHEMICALS

Add the spa water chemicals as recommended by your Sundance Dealer. (See the section titled WATER QUALITY MAINTENANCE for general guidance.)

### 6. SET SPA TO HEAT

To warm the spa water up to a comfortable temperature, follow these steps:

- Depress **JETS** to return the pump to low-speed operation.
- The LED display on the control panel displays the actual temperature of

the spa water. Press either the **COOLER** or **WARMER** sensor pad to display the "set" temperature for 5 seconds. If you want the water to heat to a different temperature, simply press **COOLER** or **WARMER** within 5 seconds. The set temperature advances or decreases by one degree each time one of these sensor pads is pressed.

- Both the heater and the pump will turn off when the temperature corresponding to the thermostat setting is achieved.

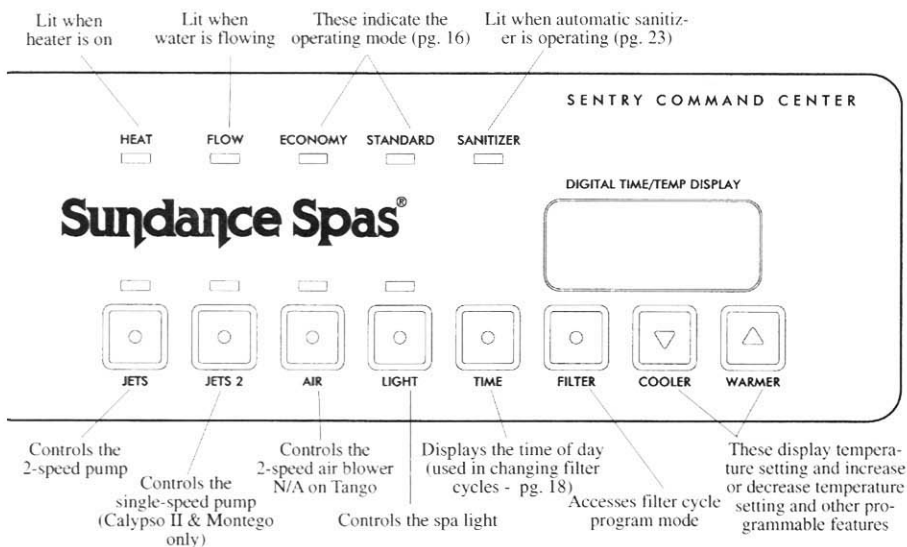
- The maximum temperature for which the spa can be set is 104° F and the minimum is 80° F.  
 - Setting the thermostat at maximum will not accelerate the heating process. This will only result in a higher ultimate temperature.

## 7. PLACE COVER ON SPA

- Keeping the insulating cover in place anytime the spa is not in use will reduce the time required for heating, thereby minimizing operating costs.
- The time required for initial heat-up will vary depending on the starting water temperature and the capacity of your spa. Smaller spas heat at a rate of approximately 8 to 10 degrees per hour; larger spas heat at about 4 to 6 degrees per hour. (The heating rate of a Tango connected to 110V will be about 2 or 3 degrees per hour.)

**DANGER. RISK OF INJURY.** Always check water temperature carefully before entering spa.

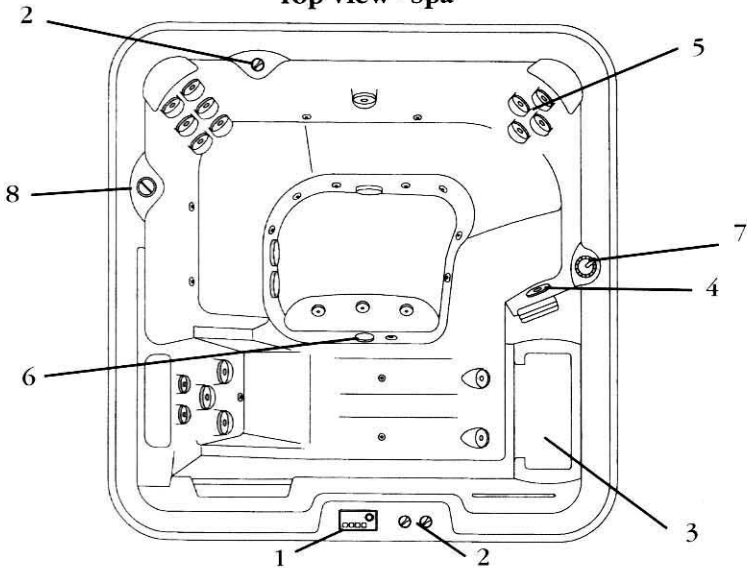
### III. No. 4 Control Panel



## Operating Instructions

Your Sundance spa has a control panel, massage selector valves and air control knobs located on the top rim of the spa. These controls let you operate many of the special functions of your Sundance spa.

**Ill. No. 5**  
**Top View - Spa**



- |  |  |
|--|--|
| 1. Control Panel                             | 5. Therapy Jets                        |
| 2. Air Controls                              | 6. Spa Light                           |
| 3. Filter                                    | 7. Massage Selector (N/A on Calypso I) |
| 4. Whirlpool Jet (N/A on Calypso I or Tango) | 8. SunScents Dispenser (N/A on Tango)  |
- (Location of features varies by model.)

### **LIGHT**

The control panel sensor labeled **LIGHT** activates the underwater spa light when depressed and the LED indicator light above this sensor comes on when the spa light is turned on.

There are two colored lenses included with your spa which may be placed over the light lens inside the spa. To remove a lens, simply rotate it counter-clockwise and pull.



## **JETS**

The **JETS** sensor pad controls the dual-speed pump. Pressing this sensor cycles the pump from off, to low speed, to high speed, and back to off.

**Auto Shut-off** -- Anytime a pump has been manually turned on, it will automatically turn off after approximately 20 minutes. If at this time you desire more jet operation, you may simply turn them back on.

You will notice that, occasionally, when you touch the sensor pad to turn off the high speed of the pump, the low speed continues to operate and the Jets indicator light flashes. This is normal if the spa is in the "Standard" mode and calling for heat, if a filter cycle is in progress or if the heater has recently turned off. (After the heater turns off, the pump continues to circulate water for approximately 30 seconds to cool the heating element.)

### **JETS 2 (Montego & Calypso II only)**

The JETS 2 sensor controls the single-speed pump in the Montego and Calypso II models. This pump is subject to the same auto shut-off function as the dual-speed pump.

## **SELECTING THE DESIRED MASSAGE ACTION**

Your Sundance spa is equipped to allow you to customize the massage action you desire.

### **Adjusting the Massage Selector**

Each of the models covered by this manual, except the Calypso I, features a Massage Selector (Ill. 5, item 7) which allows you to direct the flow of water between one group of jets or another as follows:

**Montego and Calypso II Models** – Several of these spas' jets are powered *directly* by the single-speed pump. The flow from the dual-speed pump can be diverted to either the whirlpool jet or to the other jets by changing the position of the Massage Selector.

**Rio Model** – The flow from the pump can be directed to either the whirlpool jet or to the other jets by changing the position of the Massage Selector.

**Tango Model** – Adjusting the Massage Selector directs the water to either the jets in the multi-jet Therapy Seat or to the other jets. Alternatively, you may position the Massage Selector to "Combo" and turn each jet on or off individually (see below).

### **Adjusting Individual Jet Flow**

The water flow to the individual jets in your spa can be increased or decreased by rotating the outside face of the jet. For the greatest massage action, turn off the water flow to all jets that are not in use.

## Air Controls

Each jet system has its own air control. These controls allow you to regulate the amount of air which is mixed with the water entering through the jets. Clockwise rotation adds more air and counter-clockwise rotation reduces air flow. To minimize heat loss, these controls should be closed when the spa is not in use.

## AIR INJECTION AND AROMATHERAPY (N/A on Tango)

Pressing **AIR** cycles the air blower from off, to high speed, to low speed and back to off. An automatic timer automatically turns the air blower off after approximately 20 minutes.

On the rim of your spa is a screw-off cap labeled "SunScents Dispenser" (Ill. 5, item 8). It is designed to contain packages of a specially made fragrance available from your Sundance dealer. The fragrance is carried into the spa water by the air coming through the injector system when the air blower is on.

**IMPORTANT:** Do not use this dispenser for any other type of fragrance. Always make certain that the dispenser caps are securely in place before operating the spa's air blower.

## CHOOSING THE "STANDARD" OR "ECONOMY" MODE

Your Sundance Sentry™ controls have been designed to give you maximum convenience, as well as economy of operation. By selecting the appropriate operating mode, you can ensure that your spa will be ready to use anytime with the lowest possible energy consumption.

To change the programming between "Standard" and "Economy", simultaneously depress **COOLER** and **WARMER** and hold for two seconds. The control panel's indicator lights signify the operating mode you have set.

## Standard Mode

In the "standard" mode, the spa water temperature will always be held at the set temperature. The low speed pump and the heater will turn on as needed to maintain the spa water temperature within one degree of the temperature you have set with the temperature control. When the desired temperature has been achieved, the heater will turn off and the low speed pump will continue to operate for approximately 30 seconds to cool the heater, then turn off.

In addition, when in the "standard" mode, the filter cycles will operate the low speed pump as programmed to provide skimming action and additional filtration.

We suggest you use the "standard" mode in the following situations:

1. Upon initial fill-up to bring the water up to the desired temperature.
2. Anytime you desire a temperature rise prior to the next "heater on" filter cycle.

At all other times, it is advisable to use the "economy" mode.

## Economy Mode

In the "economy" mode, the low speed pump will turn on automatically *only* during the filter cycles. During these cycles, the heater will operate *only* if the actual water temperature is lower than the set desired temperature.

Because of the exceptionally high heat retention capabilities of your Sundance spa, you will find that the "economy" mode is more than adequate for normal day-to-day operation.

**NOTE:** The control system is programmed to assume that the user wants the set temperature maintained while the spa is being used. Therefore, if the spa is in the economy mode and between filter cycles, anytime the "Jets" sensor is pressed, the system will behave as if it is in the standard mode, turning the heater on as needed to maintain the set temperature.

---

## Automatic Filtration and Pre-Heating

---

### FILTRATION / PRE-HEATING CYCLES

Your spa's control system activates automatic filter cycles, during which the low speed of the spa's primary jet pump turns on to move water through the filter. This water movement also provides important skimming action to remove debris and suspension from the water's surface, minimizing the "bathtub ring" effect.

When an automatic filter cycle activates, a green light flashes above the **JETS** sensor pad. (Note: If **JETS** is pressed during a filtration cycle, this light stops flashing to indicate "manual" low-speed operation.)

### Air Injector System Blow Out

For 30 seconds at the beginning of each filter cycle, the air blower automatically activates to put into circulation any water that may have entered the air injector lines. This helps ensure that all of the spa water is properly filtered and sanitized. During this time, the light above the AIR sensor pad flashes to indicate automatic operation. (N/A on Tango.)

### Pre-Heating

During the filter cycle, both the heater and the heater indicator light turn on if the actual water temperature is lower than the set temperature. Both the heater and the indicator light turn off when the set temperature is reached.

**NOTE:** After a long filter cycle, you may notice that the water temperature is greater than the temperature setting. This can happen in such a well-insulated spa because, even though the heater turns off as intended, the transference of heat from the pump continues to add warmth to the water.

### Pre-Set Filter Cycles

Your spa comes with four 30-minute filter cycles already programmed in, beginning at midnight, 6:00 a.m., noon and 6:00 p.m. You can easily change the start time and the duration for any of these cycles to suit your individual needs by following the steps in the next section.

At 11:59 a.m. each day, the single-speed pump in the Montego and Calypso II automatically turns on to ensure that all the spa water is properly filtered and sanitized. This is not user-programmable.

---

## Programming Instructions

---

### ADJUSTING THE TIME OF DAY

The Sentry control system remembers the time of day even in the event of a prolonged power outage. However, it may occasionally be necessary to re-set the time of day. For example, if you are not in the Pacific Time Zone you will want to reset the time for your own time zone.

To accomplish this, press and hold the **TIME** sensor pad. Simultaneously, press and hold either **COOLER** (decrease) or **WARMER** (increase). The time will convert to military time (e.g. 1:00 p.m. = 13:00) and advance or decrease rapidly in one-minute increments. When the correct time is displayed, release the sensors. After 5 seconds, the display will return to normal.

### CHANGING THE FILTER CYCLES

The Sentry Control System allows you to easily adjust the starting time and the duration of each filter cycle.

To make adjustments, first press **FILTER** to enter the filter cycle programming mode. The LED display will show "F1". You may press **COOLER** (down) or **WARMER** (up) to scroll through the other three filter cycles (F2, F3 and F4).

Note: If no sensor pads are pressed within 10 seconds, the control panel returns to displaying the water temperature. If you want to continue changing the filter cycle settings, simply press **FILTER** again.

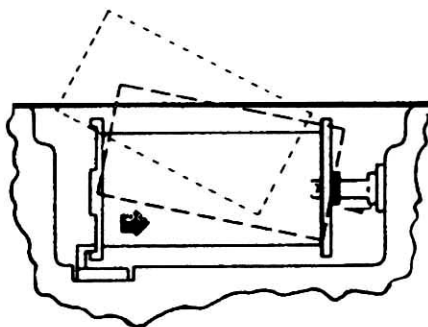
For any of these filter cycles, press **TIME** to view the currently programmed starting time in military time (e.g. 1:00 p.m. = 13:00). While the starting time is displayed, you may press **COOLER** (down) or **WARMER** (up) to change the starting time in 30-minute increments.

While the starting time is displayed, press **TIME** again to view that cycle's currently programmed duration. While the duration is displayed, you may press **COOLER** (down) or **WARMER** (up) to change the filter cycle duration in 15-minute increments.

To view or adjust another cycle's programming, simply press **FILTER** again and scroll to the desired cycle using **COOLER** or **WARMER**.

Proper and regular maintenance of your spa will help it retain its beauty and performance. Your authorized Sundance Dealer can supply you with all the information, supplies and accessory products you will need to accomplish this.

### III. No. 6 Cartridge Filter Removal



#### **CLEANING THE FILTER**

Your Sundance spa is equipped with a cartridge filter located in the skimmer/filter well (III. 5, item 3). Filtering is accomplished when the dual-speed pump, on either high or low speed, causes water to flow through the polyester mesh of the filter. As this happens, suspended particles become trapped on the filter's surface.

To ensure optimum performance, it is necessary to remove and clean the filter cartridge, generally, every 2 to 4 months, depending on usage and water quality. To accomplish this, follow these steps:

1. Turn off power to the spa at the home's breaker panel.
2. Remove the filter lid (III. 5, item 3).
3. Remove the filter cartridge by loosening the retainer nut on the pipe at one end of the filter and sliding the filter toward the nut until the other end is free of the retainer bracket. Lift the filter out as you pull it away from the filter pipe.
4. Using a garden hose with a high-pressure nozzle, rinse debris from the filter pleats beginning at the top and working your way downward. Continue, one section at a time, until you have rinsed all of the filter's pleats.

Periodically, the filter cartridge will need a more thorough cleaning to remove imbedded oils and minerals. For this, we suggest cleaning as above and then soaking the cartridge overnight in a plastic container filled with a solution of water and a specially formulated filter cleanser available from your Sundance dealer.

Replace the filter cartridge by sliding it back onto the pipe then securing one of the protruding tabs on the other end under the retainer bracket. Tighten the retainer nut only until it is snug- do not over tighten.

The average life expectancy of a Sundance filter cartridge is approximately two years with proper care and water quality maintenance. A replacement cartridge may be purchased from your Sundance Dealer.

## DRAINING & REFILLING

About every 3 to 6 months, you will want to replace the spa's water. The frequency depends on a number of variables including the amount of use, attention paid to water quality maintenance, etc. You will know it is time for a change when you cannot control sudsing and/or you can longer get the normal feel or sparkle to the water even though the key water balance measurements are all within the proper parameters.

**WARNING! READ THIS BEFORE DRAINING:** To prevent damage to the spa's components, **turn off power to the spa at the circuit breaker before draining it.** Do not turn the power back on until your spa has been refilled.

**CAUTION:** There are certain precautions to keep in mind when draining your spa. If it is extremely cold, and the spa is outdoors, freezing could occur in the lines or the equipment (see "WINTERIZING", page 22). On the other hand, if it is hot outdoors, do not leave the spa's surface exposed to direct sunlight for long periods.

To drain your spa using the drain port provided, **first turn off the power to the spa at the circuit breaker.** Then remove the center panel from the side of the cabinet under the control panel. The drain port is secured to the base inside the door and features a white "T" handle (Ill. 1, item 5). To attach a garden hose, replace the fitting screwed into the end of the drain port with the fitting provided with your spa (in the plastic bag with your colored lenses). For faster draining, a special, large-diameter drain hose is available from your Sundance dealer.

Once the hose is connected and the end placed where you want the water to drain, open the valve by pulling the "T" handle outward from the pipe.

After draining, always remember to close the "T" handle valve *and reinstall the threaded plug* (to prevent water from seeping past the valve) prior to refilling. After refilling, turn on power to the spa and follow the steps listed under "Start Up Instructions".

## **CLEANING THE INTERIOR OF THE SPA**

To preserve the sheen of your spa's surface, it is crucial that you avoid using abrasive cleaners or cleaners which have adverse chemical effect on the surface. If you are not certain as to the suitability of a particular cleanser, consult your authorized Sundance Dealer.

Regardless of the cleanser used, use extreme care to assure that no soap residue is left on the surface. This could cause severe sudsing when the spa is refilled.

Your Sundance Dealer offers a specially formulated surface sealant which aids in cleaning the spa surface and adds a protective coating to enhance the luster of the surface. This product should also be occasionally applied to the stainless steel grab rails and accents in the spa to help preserve their appearance.

## **PILLOW CARE**

Remove and clean the headrest pillows regularly with soapy water using a cloth or soft-bristle brush. To maintain water resistance and luster, apply a quality vinyl conditioner once a month.

Always remove the pillows when adding chemical shock treatment to the spa water. The pillows can be returned to the spa when the sanitizer reading drops below 5 ppm.

**IMPORTANT:** When removing pillows equipped with suction cups, always slide them upwards until the suction cups release from the spa's surface. Never pull the pillows straight out from the spa as this will likely cause the suction cups to permanently separate from the pillow.

(Pillow damage or deterioration caused by improper care is not covered by the spa's warranty.)

## **MAINTAINING THE WOOD CABINET**

With time and exposure to the elements, the wood on your spa will tend to lose its new appearance. Protecting or reviving the wood surfaces is a fairly simple process.

Light sanding with fine-grit sandpaper will help smooth any roughness and regular applications of a penetrating wood preservative will enhance and protect the richness of the wood. A specially formulated wood stain available from your Sundance dealer is ideal for this.

**NOTE:** Do not apply varnish, shellac or other surface sealants to the wood. These tend to react with the chemicals in the wood and the UV rays of the sun, causing yellowing, flaking and peeling.

## **MAINTAINING THE COVER**

Using the Sundance insulating spa cover anytime the spa is not in use will significantly reduce your operating costs, heat-up time and maintenance requirements. To prolong the life of the cover, handle it with care and clean it regularly using mild soap and water. Periodic treatments with a special conditioner developed for Sundance spa covers will

help protect against deterioration caused by U.V. rays from the sun. Never allow anyone to stand or sit on the cover, and avoid dragging it across rough surfaces.

## **WINTERIZING**

Your Sundance spa is designed to automatically protect itself against freezing when operating properly. During periods of severe freezing temperatures, you should check periodically to be certain that the electrical supply to the spa has not been interrupted. In extreme, bitter cold weather (less than -20°F) reset the filter cycles for 24-hour operation to protect the spa (i.e. four 6-hour cycles).

If you do not intend to use your spa, or if there is a prolonged power outage during periods of severe freezing temperatures, it is important that all water be removed from the spa and equipment to protect against damage from freezing.

**For expert winterization of your spa, contact your authorized Sundance Dealer.** In emergency situations, damage can be minimized by taking the following steps:

1. Follow the directions on page 20 for draining the spa.
2. As the water level drops below the seats, use whatever means necessary to get the water out of the recessed seating areas and into the footwell.
3. When the water level ceases to drop, use whatever means available to remove any remaining water from the footwell
4. Turn the power to the spa back on briefly and press the AIR Sensor to activate the air blower. This will evacuate the water from the air injector lines. (Note: Stand back to avoid the misty spray.)
5. Turn off power to the spa.
6. Remove the equipment-side cabinet panels and locate the drain plugs in the front of the pump(s) (see Ill. 1, item 7). Remove these plugs to allow the water to drain out of the pumps and heater. (Note: Approximately one to two gallons will be released during this procedure. Use a wet/dry vacuum or other means to keep this from flooding the equipment compartment.) Replace the drain plugs.
7. Loosen the hose clamp at the bottom of the heater (Ill. 1, item 4) and pull this hose off of the heater fitting (twist the hose back and forth while pulling downward). Tip the hose down and allow to drain.
8. Re-install the cabinet side panels and cover the spa so that no casual moisture can enter the spa.

Consult your Authorized Sundance Dealer if you have any questions regarding winter use or winterizing.

## **RE-STARTING YOUR SPA IN COLD WEATHER**

If you want to start up your spa after it has sat empty for a time in freezing temperatures, be aware that the water remaining in certain sections of the piping may still be frozen. This situation will block water flow preventing the spa from operating properly and possibly damaging the equipment. We recommend you consult your dealer for guidance before attempting to re-start your spa under these conditions.



---

## Water Quality Maintenance

---

Maintaining the quality of the water within specified limits will serve to enhance your enjoyment and prolong the life of the spa's equipment. It is a fairly simple task, but it requires regular attention because the water chemistry involved is a balance of several factors. There is no simple formula, and there is no avoiding it. A careless attitude in regard to water maintenance will result in poor and potentially unhealthful conditions for soaking and even damage to your spa investment. For specific guidance on maintaining water quality, consult your Authorized Sundance Dealer who can recommend appropriate chemical products for sanitizing and maintaining your spa.

**CAUTION:** Never store spa chemicals inside the spa's equipment bay.

### pH CONTROL

pH is a measure of relative acidity or alkalinity of water and is measured on a scale of 0 to 14. The midpoint of 7 is said to be neutral, above which is alkaline and below which is acidic. In spa water, IT IS VERY IMPORTANT TO MAINTAIN A SLIGHTLY ALKALINE CONDITION OF 7.2 to 7.8. Problems become proportionately severe the further outside of this range the water gets. A low pH will be corrosive to metals in the spa equipment. A high pH will cause minerals to deposit on the interior surface (scaling). In addition, the ability of the sanitation agents to keep the spa clean is severely affected as the pH moves beyond the ideal range. That is why almost all spa water test kits contain a measure for pH as well as sanitizer.

### SANITIZING

To destroy bacteria and organic compounds in the spa water, a sanitizer must be used regularly. Your Sundance spa is equipped with the Brominator™, a special compartment built into the floating skimmer gate to hold bromine tablets. By regulating the number of bromine tablets in the Brominator™ and the length of the filtration cycles, you can control the amount of bromine which is actively working in your spa water. A bromine residual of 2 to 3 ppm is generally considered desirable.

A two-part bromine system or granular chlorine (dichlor) are also acceptable sanitizers.

**IMPORTANT:** Do not use chlorine tablets (Trichlor) in your spa. This chemical can have an extremely corrosive effect on certain materials in the spa. Damage caused by use of this chemical, or improper use of any chemicals, is not covered under the spa's warranty.

### OTHER ADDITIVES

Many other additives are available for your spa. Some are necessary to compensate for out-of-balance water, some aid in cosmetic water treatment and others simply alter the feel or smell of the water. Your Authorized Sundance Dealer can advise you on the use of these additives.

## OPTIONAL SUNZONE™ WATER PURIFICATION SYSTEM

If you have elected to have your spa equipped with the optional Sunzone ozone water purification system you will find that your water stays fresh and clear with significantly less chemical sanitizer usage. You will also probably be able to go longer between complete spa drainings.

Read and follow the instructions included with your Sunzone ozone water purification system to determine how to adjust your bromine usage and filter cycles.

## OPTIONAL PERMACLEAR™ WATER MAINTENANCE SYSTEM

The PermaClear system is another dealer-installed option which includes both the SunZone ozone generator and a small 24-hour circulation pump. This system gives you continuous ozonation and filtration with very low energy consumption. The result is cleaner, fresher water and longer intervals between drainings.



---

## Troubleshooting

---

### DISPLAY MESSAGES

There are a number of unique functions designed into your Sundance spa to protect it from damage and/or to aid in troubleshooting. Following is a listing of all the possible messages along with their meanings:

MESSAGE	MEANING
	OVERHEAT PROTECTION (Heater is deactivated, pump's low speed and air blower are activated)  Water temperature is above acceptable limits. DO NOT ENTER THE WATER! Remove spa cover to speed cooling. See "WATER IS TOO HOT" on page 28. If condition persists, contact your dealer or authorized service center.
	If the spa water is more than 20 degrees F cooler than the temperature set point, the low speed of the two-speed pump and the heater will automatically activate to provide freeze protection. The spa will stay in this mode until the water temperature reaches 15 degrees below the set temperature. No corrective action is necessary.

**FLO\***

FLOW SWITCH (Heater is deactivated. Pump may also be deactivated).

Proper flow of water is inhibited or a flow switch has malfunctioned. Check for proper water level. Check for clogged filter. Contact your dealer or service organization.

**\*NOTE: THIS MESSAGE CAN ALSO APPEAR IF THE PUMP HAS NOT REGAINED PRIME AFTER THE SPA HAS BEEN DRAINED AND REFILLED. IF YOU SUSPECT THAT THIS IS THE CASE, SEE THE INSTRUCTIONS ON PAGE 27 UNDER "PUMP DOES NOT OPERATE..."**

**Hold**

Panel sensors have been pressed too many times in a short period of time. Because this could cause excessive wear on equipment components, panel sensors are temporarily deactivated. Panel sensors will automatically re-activate if no sensor is pressed for 30 seconds.

**HOT**

Circuit board temperature has exceeded acceptable limit. Air blower will activate and operate until circuit board temperature drops below acceptable limit. If condition persists, provide shade for the equipment side of the spa.

**ICE**

**FREEZE PROTECTION**

A potential freeze condition has been detected. No action is required. Pump(s) operate until the spa is out of danger. In extreme cases, the heater will also activate.

**PaL**

Communication between the control panel and the circuit board is faulty. Contact your dealer or service organization.

**----**

**"WATCHDOG" (Spa is deactivated.)**

A problem has been detected which could cause damage to the spa or its components. Contact your dealer or service organization.

**Sn1**

**OPEN SENSOR (heater disabled) OR  
SHORT SENSOR (spa is deactivated)**

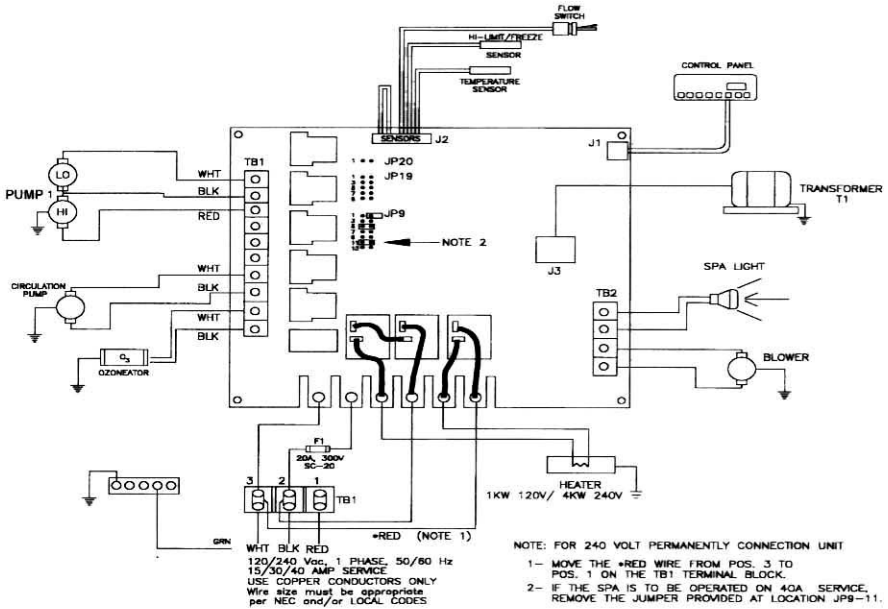
The high-limit temperature sensor is non-functional. This must be repaired only by a dealer or qualified service organization.

**Sn3**

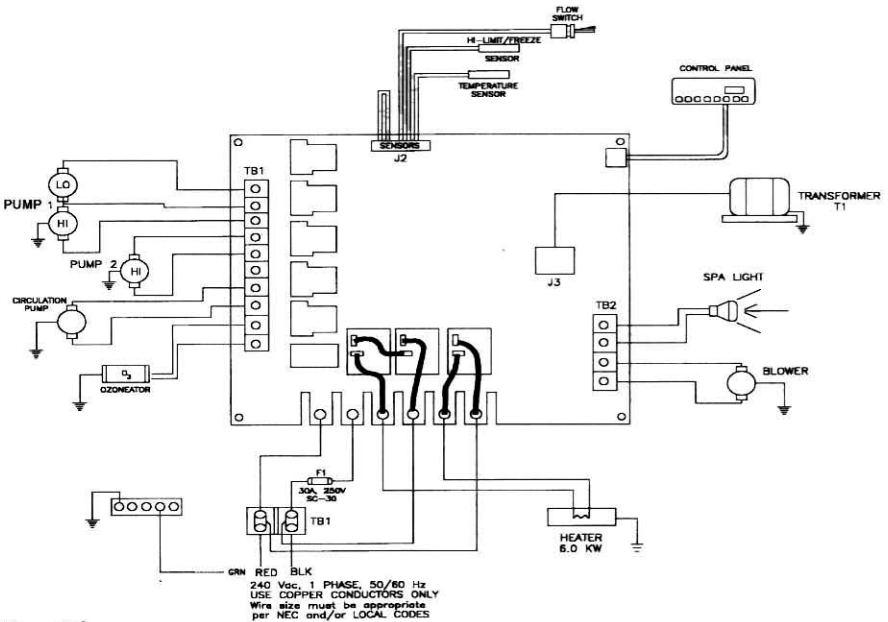
**OPEN OR SHORT SENSOR (heater disabled)**

The main sensor is non-functional. This must be repaired only by a dealer or qualified service organization.

# Electrical Wiring Diagram Tango



# Electrical Wiring Diagram Montego, Calypso I & II, Rio



## Troubleshooting Procedures

In the unlikely event your spa is not working the way you believe it should, please first review all the installation and operating instructions in this manual and check the message on the panel display; second, if you are still not satisfied it is working properly, please follow the appropriate troubleshooting instructions.

### PROBLEM

### PROCEDURE

NONE OF THE COMPONENTS OPERATE

(i.e. pump, spa light, blower).

Check the control panel lights.

1. Either the "ECONOMY" or "STANDARD" should always be lit. If either *is* lit, contact your service center.
2. If none of the control lights are on:
  - a. Check the household circuit breaker.
  - b. Check for proper power connection.
  - c. Contact your service center.

PUMP DOES NOT OPERATE BUT BLOWER AND LIGHT DO OPERATE.

Depress "Jets" sensor.

1. If no sound is detected or if a "buzzing" sound is detected, turn off power to the spa and contact your dealer or service center.
2. If motor operates but no water flows to jets:
  - a. Pump may not be properly primed. See instructions below.
  - b. Contact dealer or authorized service center.

**IMPORTANT:** If freezing conditions exist and pump is not operational, take measures to protect the system from freeze damage. See section titled "Winterizing".

#### **Pump Priming Instructions:**

Remove filter and insert end of garden hose into filter pipe. Seal-off pipe opening around hose using a large, clean rag and turn on maximum water flow through the hose. After about 30 seconds, turn off water, remove hose and rag, reinstall filter and activate pump's high speed.

Another method of priming the spa's pump(s) is as follows:

1. Turn off the power to the spa.
2. Remove the handle from the Massage Selector supplied by the pump you are priming.
3. Loosen the Massage Selector's cap slightly (counter-clockwise), listening for the air to seep out.
4. Tighten the cap finger-tight, replace the handle and turn the spa's power back on.

(Note: This method must be used for the single-speed pump on two-pump models because these pumps are not connected to the filter.)

#### POOR JET ACTION

1. Make certain the pump is on high speed.
2. Rotate the Massage Selectors.
3. Open the appropriate air control knob.
4. Check for adequate water level. Low water level will cause "surging."
5. Check for dirty filter.
6. Contact your dealer or service center.

#### WATER IS TOO HOT.

1. Turn thermostat setting down.
2. Reduce filtration cycle length. (Even without heater on, water will gain temperature from prolonged pump operation.)

#### NO HEAT

1. Check thermostat setting.
2. Check the operating mode. In the "ECONOMY" mode, the spa will heat only during filter cycles or when the pump is manually turned on.
3. Make certain that the pump comes on when it is supposed to. (Refer to section above regarding pump operation.)

#### AIR BLOWER DOES NOT OPERATE BUT OTHER COMPONENTS DO

1. Contact your service center.

Your authorized Sundance dealer is a trained service repair center. Should checking the above steps fail to correct the problem, please call your dealer so that he may arrange service.

Your Sundance Dealer's phone number: \_\_\_\_\_

Sundance builds the best spas in the industry. Nonetheless, we are always striving to improve the quality and features of our products. Your input as a Sundance spa owner is a cherished part of this process. If you have any comments or suggestions, or if you wish to be informed on any new products for your spa, please write to us.

CONGRATULATIONS on your good taste and welcome to the happiest and most relaxed family in the world!



## **Sundance Spas, Inc.**

**14525 Monte Vista Ave, Chino, CA 91710/U.S.A.**

**Phone: (909) 606-7733, Fax: (909) 606-0195**

**Website: <http://www.sundancespas.com>**

**6530-271**

**©1997 Sundance Spas, Inc.**

**Printed in U.S.A.**