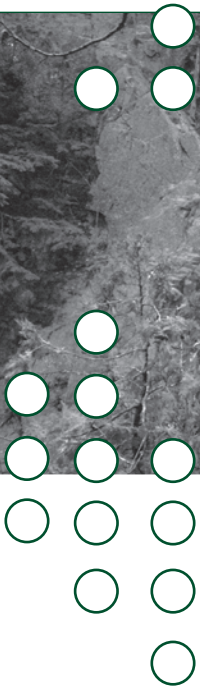


ADIRONDACK SPA® & CHAMPION SPA®

OWNER'S MANUAL



ADIRONDACK & CHAMPION EDITION

Model: _____

Serial Number: _____

Date Installed: _____

Dealer: _____

Address: _____

Telephone: _____

Note: The serial number/identification label is located within the equipment compartment and skimmer housing.

ADIRONDACK & CHAMPION SERIES

MODEL	AVG. FILL	AVG. FILL WEIGHT	AVG. DRY WEIGHT
Keene/ Contender/ 160	150 gal. / 568 L	1638 lbs. / 743 kg.	385 lbs. / 175 kg.
Champlain/ Victory/ 190	240 gal. / 909 L	2504 lbs. / 1136 kg.	500 lbs. / 227 kg.
Caroga/ Vision/ 220	350 gal. / 1325 L	3336 lbs. / 1513 kg.	480 lbs. / 218 kg.
Saranac/ Spectra/ 250	350 gal. / 1325 L	3622 lbs. / 1643 kg.	700 lbs. / 318 kg.
Marcy/ Conquest/ 280	375 gal. / 1420 L	3880 lbs. / 1760 kg.	750 lbs. / 340 kg.
Georgian/ Challenger/ 310	525 gal. / 1988 L	5302 lbs. / 2405 kg.	920 lbs. / 417 kg.
Paradise/ 130	255 gal. / 965 L	2438 lbs. / 1105 kg.	350 lbs. / 158 kg.

Thank you for your recent Saratoga Spa purchase.

This owner's manual has been designed to acquaint you with your Saratoga Spa's operation and general maintenance. Keep this manual available for future reference.

If you have any questions regarding your Saratoga Spa, contact your local dealer.

Thank you.

TABLE OF CONTENTS

ADIRONDACK & CHAMPION SAFETY INSTRUCTIONS

Avoiding Risk to Children	.2
Avoiding Risk of Electrical Shock	.2
Avoiding Risk of Injury	.3
Unclean Water	.3
Avoiding Risk of Hyperthermia	.4
Avoiding Risk of Skin Burns	.4
Important Do's and Don'ts	.5

ADIRONDACK & CHAMPION LINE SPA MODELS

Specifications	.6
----------------	----

ADIRONDACK & CHAMPION LINE FEATURES AND OPERATIONS

Keene/Contender	.7
Champlain/Victory	.8
Caroga/Vision	.9
Saranac/Spectra	.10
Marcy/Conquest	.11
Gerogian/Challenger	.12
Paradise	.13

INSTALLATION INSTRUCTIONS

Location Preparation	.14
Outdoor Installation	.14
Indoor Installation	.14

ELECTRICAL REQUIREMENTS AND PRECAUTIONS

220 V Permanently Connected SE & LE Models	.15
Electrical Installation Instructions	.15
Electrical Spa Wiring Connection Instructions	.16
110/220 Volt Convertible Models	.17-18

INITIAL OPERATING INSTRUCTIONS

Start-up and Refill Procedures	.19
Start-up Procedures	.20
SE Model Start-up Procedures	.21
LE Model Start-up Procedures	.22
Jet Specifications	.23

EQUIPMENT MAINTENANCE

Light Bulb Replacement	.24
------------------------	-----

CONTROL PANEL FUNCTIONS-SE MODELS

Main Control Panel	.24
Main Control Panel Buttons and Digital Display	.24
Temperature Control	.24
Operating the Hydro Pumps	.25
Jet Buttons	.25
Light Control Button	.25
Optional LED Blast™ or Color Splash™ Lighting	.25
Heating Modes	.25
Preset Filter Cycle	.26
Summer Set Mode	.26
Freeze Protection	.26
SE Diagnostic Messages	.30

CONTROL PANEL FUNCTIONS-LE MODELS

Main Control Panel	.27
Main Control Panel Buttons and Digital Display	.27
Temperature Control	.27
Operating the Hydro Pumps	.28
Jet Buttons	.28
Light Control Button	.25
Optional LED Blast™ or Color Splash™ Lighting	.25
Heating Modes	.28
Preset Filter Cycle	.29
Summer Set Mode	.29
Freeze Protection	.29
LE Diagnostic Messages	.31

SPA CARE AND WATER MAINTENANCE

General Information	.32
Filter Cartridge Removal and Cleaning	.33
Care of Pillows	.33-34
Care of Exterior	.34
Care of Spa Cover	.34
Winterizing Your Spa	.35-36
Water Quality Maintenance	.37-39

TROUBLESHOOTING

SE Operational Trouble Shooting Guide	.40
LE Operational Trouble Shooting Guide	.41-42
Control Panel Identification	.42

SERVICE AND WARRANTY INFORMATION

Service and Warranty Information	.43
Spa Care and Maintenance Record	.44

ADIRONDACK & CHAMPION SPA SAFETY INSTRUCTIONS

Read And Follow All Instructions

AVOIDING THE RISK TO CHILDREN

RISK OF CHILD DROWNING

Extreme caution must be exercised to prevent unauthorized access by children. To avoid accidents, ensure that children cannot use a spa unless they are supervised at all times.

Warning:

- *To reduce the risk of injury, do not permit children to use this spa unless they are closely supervised at all times.*
- *To reduce the risk of injury, lower water temperatures are recommended for young children. Children are especially sensitive to hot water.*

RISK OF ELECTROCUTION

- Connect only to a grounded source.
- Do not bury the power cord. A buried power cord may result in death, or serious personal injury due to electrocution if direct burial-type cable is not used, or if improper digging occurs.
- A ground terminal (pressure wire connector) is provided on the control box inside the unit to permit connection of a minimum No. 8 AWG (8.4 mm) solid copper bonding conductor between this point and any metal equipment, metal water pipe, metal enclosures of electrical equipment, or conduit within five feet (1.5 m) of the unit as needed to comply with local requirements.
- To reduce the risk of electrocution, replace all damaged cords immediately. Failure to do so may result in death or serious personal injury due to electrocution.

AVOIDING RISK OF ELECTRICAL SHOCK

- Do not permit any electrical appliance, such as a light, telephone, radio or television within 5 feet (1.5m) of a spa. These units DO NOT have an internal ground fault circuit interrupter. The installation of a ground fault circuit interrupter MUST be done by a qualified Electrician and must meet all local and national codes. Failure to maintain a safe distance may result in death, or serious personal injury due to electrocution, if the appliance should fall into the spa.
- Install at least 5 feet (1.5 m) from all metal surfaces. A spa may be installed within 5 feet of a metal surface if each metal surface is permanently connected by a minimum No. 8 AWG (8.4 mm) solid copper conductor attached to the wire ground connector on the terminal box that is provided for this purpose if in accordance with National Electrical Code ANSI/NMFA70-1993.
- Install your spa in such a way that drainage is away from the electrical compartment and from all electrical components.

AVOIDING RISK OF INJURY

- To reduce the risk of injury to persons, DO NOT remove suction fittings located at the bottom footwell of the spa.
- The suction fittings in the spa are sized to match the specific water flow created by the pump. Never replace a suction fitting with one rated less than the flow rate marked on the original suction fitting. Never operate the spa if the suction fittings are broken or missing.
- There is a danger of slipping and falling. Remember that wet surfaces can be very slippery. Take care when entering or exiting the spa.
- People with infectious diseases should not use the spa.
- Keep any loose articles of clothing or hanging jewelry away from rotating jets or other moving components.
- The use of drugs, alcohol, or medication before or during spa use may lead to unconsciousness with the possibility of drowning.
- Persons using medications should consult a physician before using a spa; some medication may cause a user to become drowsy, while other medication may affect heart rate, blood pressure, and circulation.
- Persons taking medications which induce drowsiness, such as tranquilizers, antihistamines or anticoagulants should not use the spa.
- Water temperature in excess of 104°F (38°C) may be injurious to your health.
- Pregnant women should consult a physician before using spa.
- Persons suffering from obesity, or with a medical history of heart disease, low or high blood pressure, circulatory system problems, or diabetes should consult a physician before using spa.

UNCLEAN WATER

- Keep the water clean and sanitized with correct chemical care.
- Maintain water chemistry in accordance with chemical manufacturer's instructions.

Important:

- Turn the Jet Pump on high speed and it will operate for a 15 minute cycle after adding ANY spa water chemicals into the spa.
- Clean the filter cartridges monthly to remove debris and mineral buildup which may affect the performance of the jets, limit the flow, or cause a high limit problem.

AVOIDING RISK OF HYPERTHERMIA

The causes, symptoms and effects of hyperthermia may be described as follows: Hyperthermia occurs when the internal temperature of the body reaches a level several degrees above the normal body temperature of 98.6°F. The symptoms of hyperthermia include an increase in the internal temperature of the body, dizziness, lethargy, drowsiness and fainting.

The effects of hyperthermia include:

1. Failure to perceive heat.
2. Failure to recognize the need to exit the spa or hot tub.
3. Unawareness of impending hazard.
4. Fetal damage in pregnant women.
5. Physical inability to exit the spa or hot tub.
6. Unconsciousness resulting in drowning.

Warning:

The use of alcohol, drugs, or medication can greatly increase the risk of fatal hyperthermia in hot tubs and spas.

To Reduce The Risk of Injury::

- The water in the spa should never exceed 104°F (40°C). Water temperatures between 100°F (37.7°C) and 104°F (40°C) are considered safe for a healthy adult.
- Lower water temperatures are recommended for extended use (exceeding ten minutes) and for young children. Extended use can cause hyperthermia.
- Pregnant or possibly pregnant women should consult with their physician before entering a spa. Failure to do so may result in permanent injury to your baby.
- Do not use spa immediately following strenuous exercise.

AVOIDING RISK OF SKIN BURNS

- To reduce the risk of injury, before entering a spa the user should measure the water temperature with an accurate thermometer, since the tolerance of temperature-regulating devices may vary by as much as ±5°F.
- Test the water with your hand before entering the spa to be sure it's comfortable.

Important:

The following contains important spa information, and we strongly encourage you to read and apply them.

IMPORTANT DO'S & DON'TS**DO:**

- Make sure you always lock the child resistant spa cover locks after using the spa for your children's safety. Every Adirondack & Champion Spa is equipped with a locking cover that meets the ASTM F1346-91 Standard for Safety Covers.
- Test the water temperature with your hand before allowing children to enter the spa to be sure that it's comfortable. Children are especially sensitive to hot water.
- Remind children that wet surfaces can be very slippery. Make sure that children are careful when entering or exiting the spa.
- Use and lock the vinyl cover when the spa is not in use, whether it is empty or full.
- Follow the Spa Care and Maintenance recommendations stated in this manual.
- Use only approved accessories and recommended spa chemicals and cleaners.
- Keep the spa cover locked when the spa is not in use.
- Check the equipment compartment monthly for any signs of tampering to the spa equipment.
- Follow the maintenance instructions of the spa found in this owner's manual.
- Be sure your spa is connected to the power supply correctly - use a licensed electrical contractor.
- Test the Ground Fault Circuit Interrupter(s) once a month.

DON'T:

- Allow children or pets to climb onto the spa cover.
- Allow children to have unsupervised access to the spa.
- Leave the Adirondack & Champion Spa exposed to the sun without water or the cover in place. Exposure to direct sunlight can cause solar distress of the shell material and will void the warranty.
- Lift or drag the vinyl cover by using the cover lock straps; always lift or carry the cover by using the handles.
- Attempt to open the electrical control box. There are no user serviceable parts inside. Opening of the control box by the spa owner will void the warranty. If you have an operational problem, carefully go through the steps outlined in the Troubleshooting section. If you are not able to resolve the problem, contact your authorized Adirondack & Champion Spa dealer. Many problems can easily be diagnosed over the telephone by an Authorized Service Technician.
- Block or sit on the filter compartment area.
- Allow excessive weight to be placed on the spa cover. Doing so could damage the spa cover and void any warranty.
- Use the spa with the equipment compartment door removed.
- Place electrical appliances within 5 feet (1.5m) of the spa.
- Block the equipment compartment vents. This could cause damage to the spa equipment and will void the warranty.

*** SAVE THESE INSTRUCTIONS ***

SPA SPECIFICATIONS

	Width	Length	Height	Average Fill	Dry Weight	Average Fill Weight	Seating Locations
Keene/ Contender/ 160	57" 1.45 m	80" 2.03 m	29" 0.74 m	150 gal 568 L	385 lbs. 175 kg	1,638lbs. 743 kg	2
Champlain/ Victory/ 190	67" 1.70 m	80" 2.03 m	34" 0.86 m	240 gal 909 L	500 lbs. 227 kg	2,504lbs. 1136 kg	3-4
Caroga/ Vision/ 220	80" 2.03 m	84" 2.13 m	36" 0.91 m	350 gal 1,325 L	480 lbs. 218 kg	3,336 lbs. 1,513 kg	4-5
Saranac/ Spectra/ 250	80" 2.03 m	84" 2.13 m	36" 0.91 m	350 gal 1,325 L	700 lbs. 318 kg	3,662 lbs. 1,643 kg	4-5
Marcy/ Conquest/ 280	84" 2.13 m	84" 2.13 m	38" 0.97 m	375 gal 1,420 L	750 lbs. 340 kg	3,880 lbs. 1,760 kg	5-6
Georgian/ Challenger/ 310	89" 2.26 m	93" 2.36 m	40" 1.02 m	525 gal 1,988 L	920 lbs. 417 kg	5,302 lbs. 2,405 kg	6
Paradise/ 130	78.5 Round 2m Round		36.5 " .927 m	255 gal. 965 L	350 lbs. 158 kg.	2438 lbs. 1150 kg.	4-6

Important:

The manufacturer of the Adirondack and Champion Spas strongly suggests a structural engineer or contractor be consulted before the spa is placed on an elevated deck.

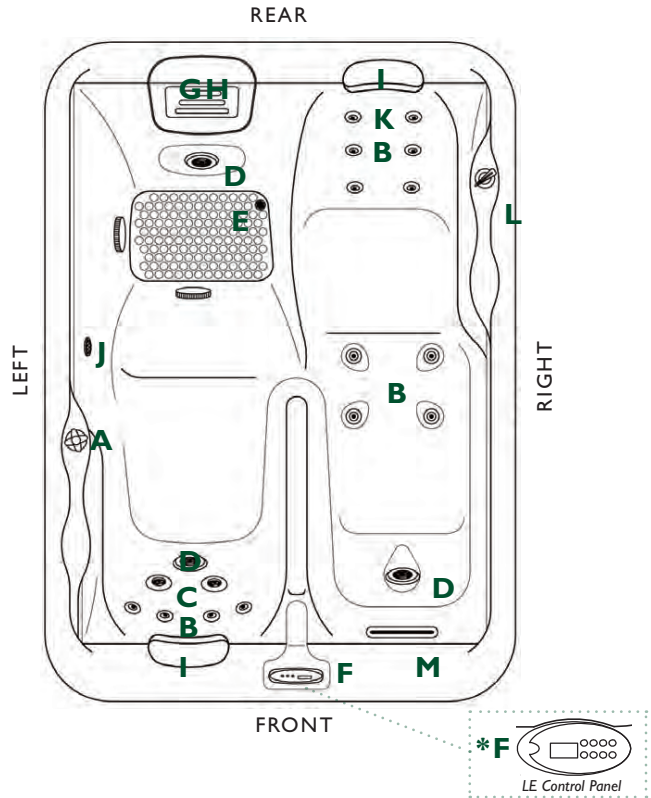
Note: The “Average Full” weight of the spa includes only the spa and the water inside the spa.

KEENE/CONTENDER/160 SE

Spa Features

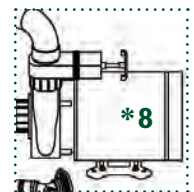
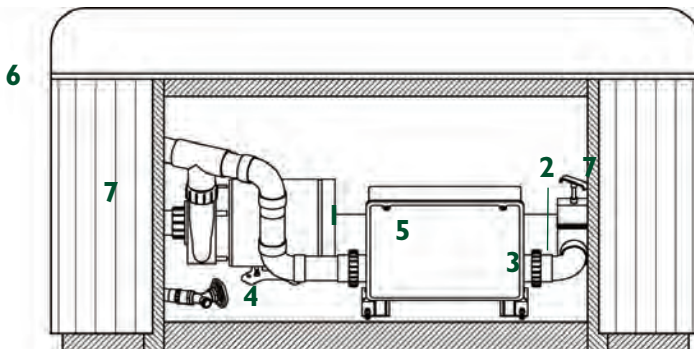
- A. Air Control Valve
- B. Cluster Jets
- C. Standard Jets
- D. Deluxe Jets
- E. Footwell Spa Drain
- F. Backlit Digital Control Panel
- G. Microban® Filtration
- H. Toploading Skimmer
- I. Pillows
- J. Mood Light
- K. Power Massage®
- L. Versa-Flo™ Valve
- M. Waterfall

Note: LE Model adds a Vortex Circulation Jet & Deluxe Digital Control



Operations Center

1. (1) Two Speed Hydro Pump
2. 1 kW/4 kW Heater
3. 110V/220V Power Pack
4. Drain Valve
5. Bonding Terminal
6. Mood Light (located on left side of spa)
7. Shut-off Valves
- *8. *Note: LE Model adds a Continuous Circulation Pump and upgraded pack to the equipment bay. This may create an optional equipment layout.*

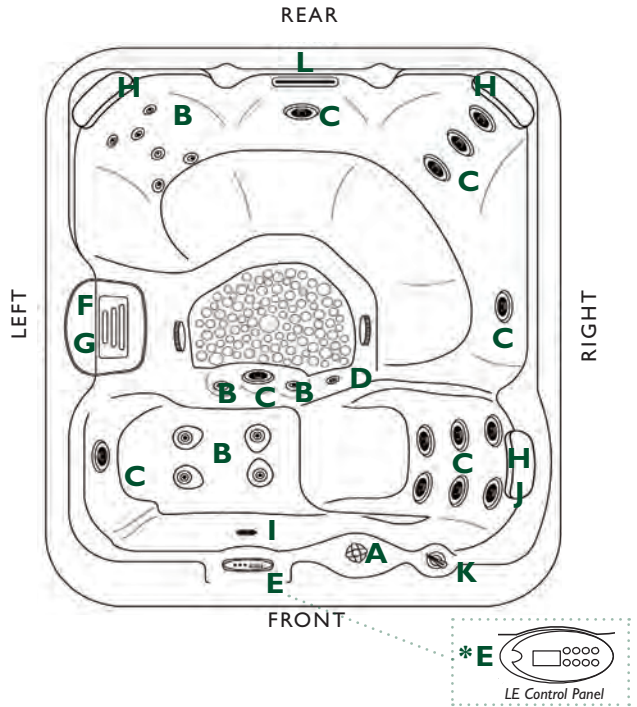


LE Circulation Pump

CHAMPLAIN/VICTORY/I90 SE

Spa Features

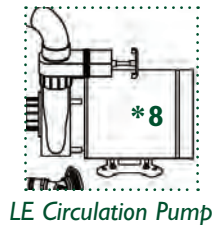
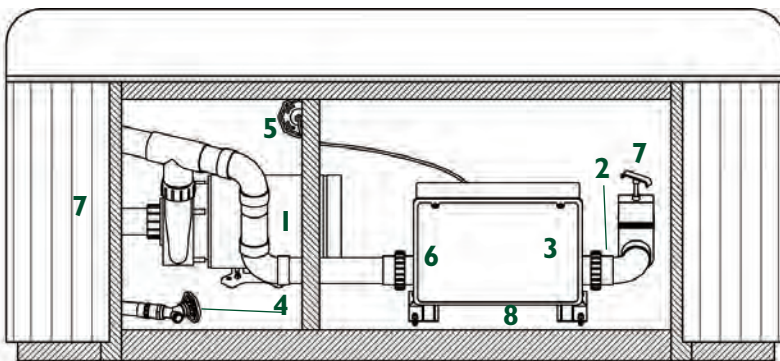
- A. Air Control Valves
- B. Cluster Jets
- C. Deluxe Jets
- D. Footwell Spa Drain
- E. Backlit Digital Control Panel
- F. Microban® Filtration
- G. Toploading Skimmer
- H. Pillows
- I. Mood Light
- J. Power Massage®
- K. Versa-Flo™ Valve
- L. Waterfall



Note: LE Model adds a Vortex Circulation Jet & Deluxe Digital Control

Operations Center

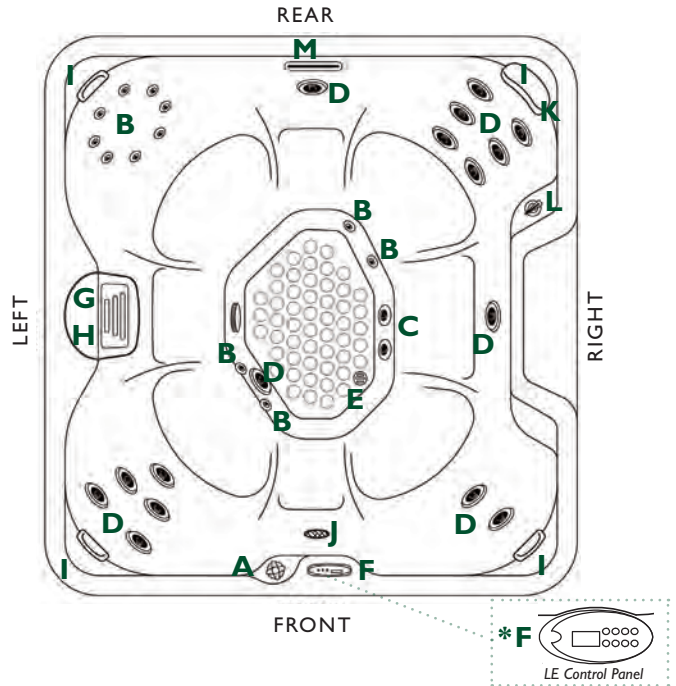
1. (1) Two Speed Hydro Pump
2. 4 kW Heater
3. 220V Power Pack
4. Drain Valve
5. Mood Light
6. Bonding Terminal
7. Shut-off Valves
- *8. Note: LE Model adds a Continuous Circulation Pump and upgraded pack to the equipment bay. This may create an optional equipment layout.



CAROGA/VISION/220 SE

Spa Features

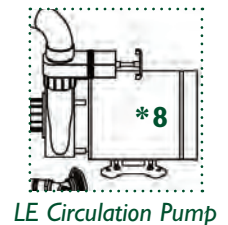
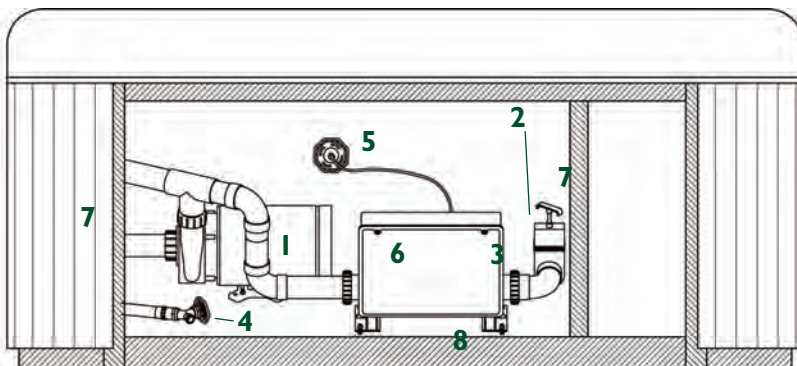
- A. Air Control Valves
- B. Cluster Jets
- C. Standard Jets
- D. Deluxe Jets
- E. Footwell Spa Drain
- F. Backlit Digital Control Panel
- G. Microban® Filtration
- H. Toploading Skimmer
- I. Pillows
- J. Mood Light
- K. Power Massage®
- L. Versa-Flo™ Valve
- M. Waterfall



Note: LE Model adds a Vortex Circulation Jet & Deluxe Digital Control

Operations Center

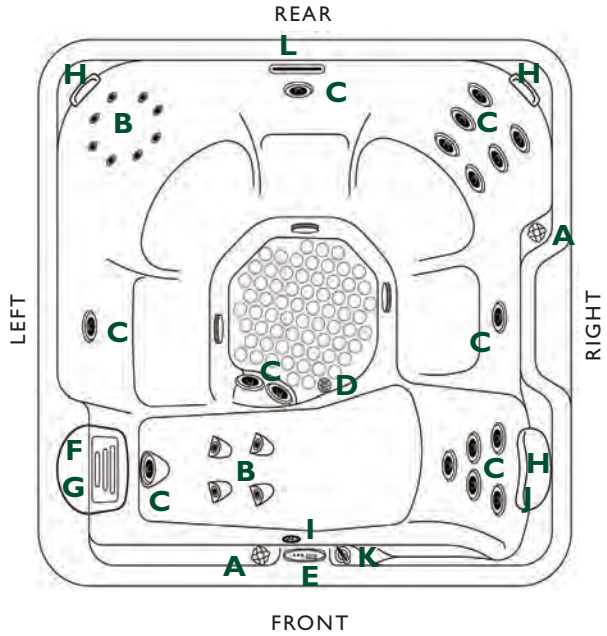
1. (1) Two Speed Hydro Pump
2. 4 kW Heater
3. 220V Power Pack
4. Drain Valve
5. Mood Light
6. Bonding Terminal
7. Shut-off Valves
- *8. *Note: LE Model adds a Continuous Circulation Pump and upgraded pack to the equipment bay. This may create an optional equipment layout.*



SARANAC/SPECTRA/250 SE

Spa Features

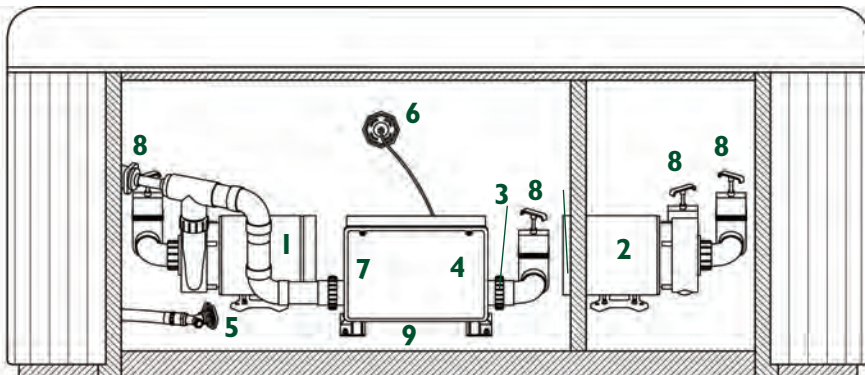
- A. Air Control Valves
- B. Cluster Jets
- C. Deluxe Jets
- D. Footwell Spa Drain
- E. Backlit Digital Control Panel
- F. Microban® Filtration
- G. Toploading Skimmer
- H. Pillows
- I. Mood Light
- J. Power Massage®
- K. Versa-Flo™ Valve
- L. Waterfall



Operations Center

- | | |
|--------------------------------|---------------------|
| 1. (1) Two Speed Hydro Pump | 7. Bonding Terminal |
| 2. (1) Single Speed Hydro Pump | 8. Shut-off Valves |
| 3. 4 kW Heater | |
| 4. 220V Power Pack | |
| 5. Drain Valve | |
| 6. Mood Light | |

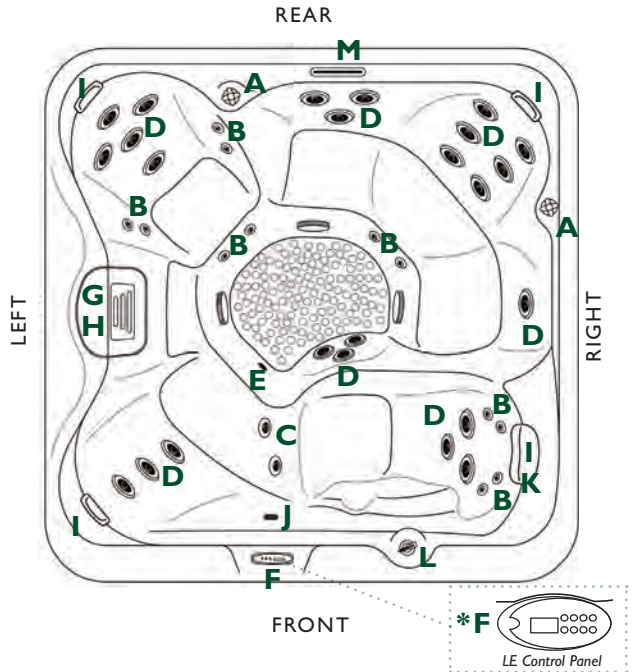
Note: LE Model adds a Continuous Circulation Pump



MARCY/CONQUEST/280 SE

Spa Features

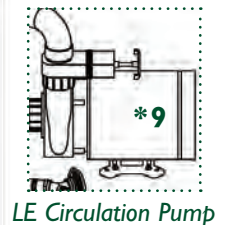
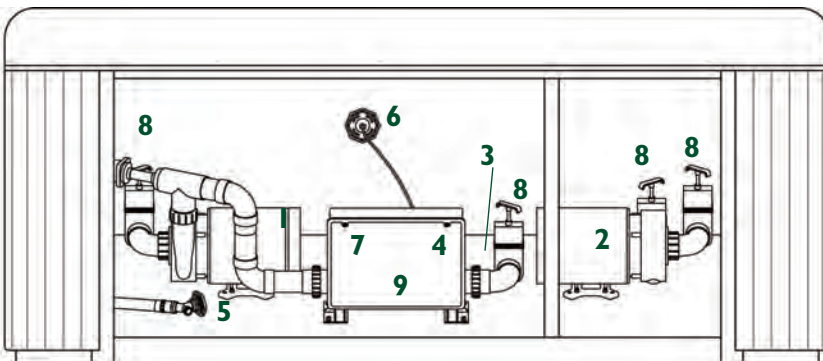
- A. Air Control Valves
- B. Cluster Jets
- C. Standard Jets
- D. Deluxe Jets
- E. Footwell Spa Drain
- F. Backlit Digital Control Panel
- G. Microban® Filtration
- H. Toploading Skimmer
- I. Pillows
- J. Mood Light
- K. Power Massage®
- L. Versa-Flo™ Valve
- M. Waterfall



Note: LE Model adds a Vortex Circulation Jet & Deluxe Digital Control

Operations Center

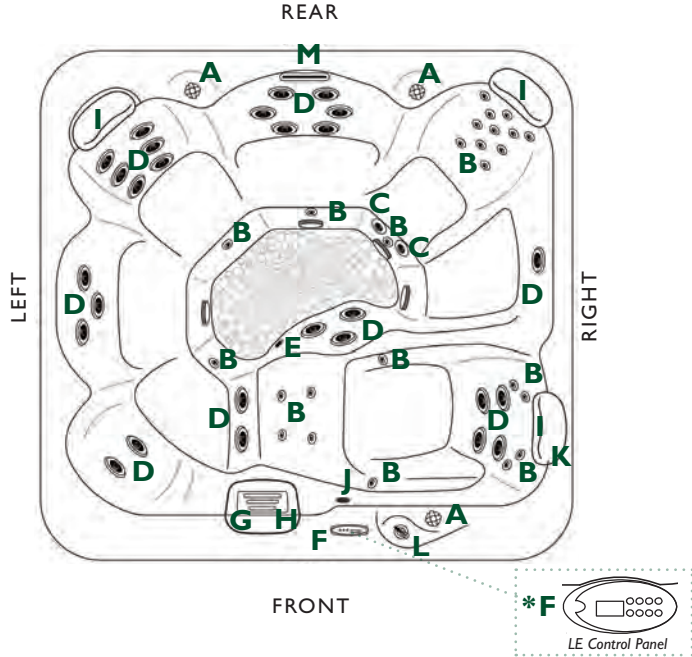
1. (1) Two Speed Hydro Pump
2. (1) Single Speed Hydro Pump
3. 4 kW Heater
4. 220V Power Pack
5. Drain Valve
6. Mood Light
7. Bonding Terminal
8. Shut-off Valves
- *9. *Note: LE Model adds a Continuous Circulation Pump and upgraded pack to the equipment bay. This may create an optional equipment layout.*



GEORGIAN/CHALLENGER/310 SE

Spa Features

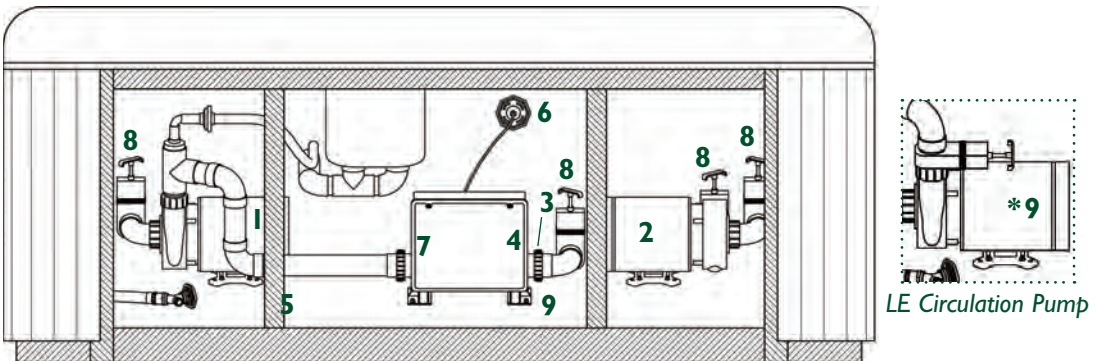
- A. Air Control Valves
- B. Cluster Jets
- C. Standard Jets
- D. Deluxe Jets
- E. Footwell Spa Drain
- F. Backlit Digital Control Panel
- G. Microban® Filtration
- H. Toploading Skimmer
- I. Pillows
- J. Mood Light
- K. Power Massage®
- L. Versa-Flo™ Valve
- M. Waterfall



Note: LE Model adds a Vortex Circulation Jet & Deluxe Digital Control

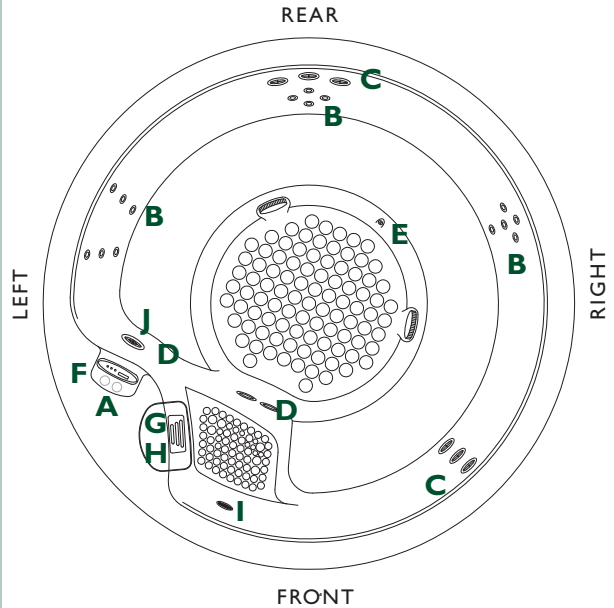
Operations Center

1. (1) Two Speed Hydro Pump
2. (1) Single Speed Hydro Pump
3. 4 kW Heater
4. 220V Power Pack
5. Drain Valve
6. Mood Light
7. Bonding Terminal
8. Shut-off Valves
- *9. *Note: LE Model adds a Continuous Circulation Pump and upgraded pack to the equipment bay. This may create an optional equipment layout.*



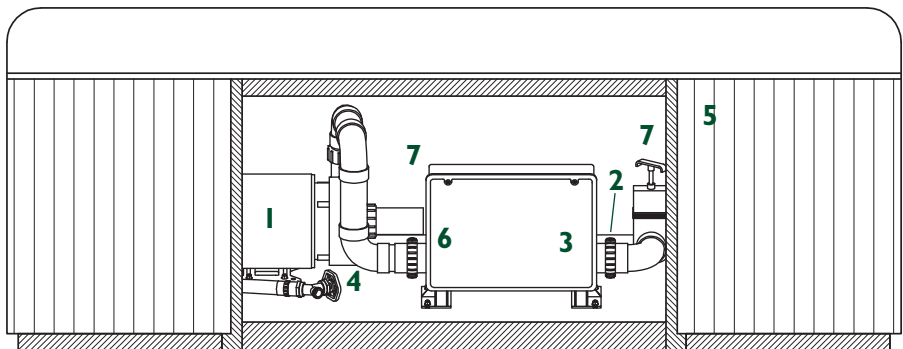
Spa Features

- A. Air Control Valve
- B. Cluster Jets
- C. Standard Jets
- D. Deluxe Jets
- E. Ozone Jet
- F. Backlit Digital Control Panel
- G. Microban® Filtration
- H. Toploading Skimmer
- I. Mood Light
- J. Diverter Jet



Operations Center

- 1. (1) Two Speed Hydro Pump
- 2. 4 kW Heater
- 3. 220V Power Pack
- 4. Drain Valve
- 5. Mood Light (located on right side of opening)
- 6. Bonding Terminal
- 7. Shut-off Valves



INSTALLATION INSTRUCTIONS

Location Preparation

Your Adirondack & Champion Spa is totally self-contained and portable. You can install the spa outside or inside. Preferable places are on a patio, deck or indoors. The spa should always be placed on a structurally strong, level surface. Other items you need to consider are the following:

- Verify that the location chosen can support the weight of the spa, the water of the spa and its occupants.
- Always check the surface of the site to see if it is level before filling the spa with water.
- Allow access to the equipment compartment for routine maintenance.
- When positioning the spa, be sure to allow for drainage away from the electrical compartment.
- Leave easy access to the GFCI breaker.

WARNING:

The Adirondack & Champion Spa is manufactured to be a portable unit. Any permanent installation of this product is done at the risk of the owner. Permanent installation of this unit violates warranty coverage.

Outdoor Installation

Always keep in mind what type of climate you live in. In a climate with cold, snowy winters you may want to consider locating the spa close to the house for easy access. In climates where it is normally warm or hot year-round, it would be recommended to place the spa in a shaded or cool area. With deck installations it is recommended that a qualified building contractor or structural engineer review the weight the deck can support. The spa specification sheet (on page 6) can assist you with the weights and dimensions of your spa.

Indoor Installation

Special requirements are needed for indoor installation. Spas normally produce moisture. A ventilation system needs to be considered. Your spa area should contain moisture resistant wall/ floor coverings and building materials to avoid damage from moisture over time. Proper drainage of the spa water also needs to be considered.

Important:

Your Adirondack & Champion Spa is equipped with air vents to allow for circulation of air throughout the equipment compartment. These vents are found on the face of the equipment compartment panel and under the corners of the spa at the equipment compartment end. Do not allow vents to be blocked as to prevent the circulation of air in the equipment compartment.

Your Adirondack & Champion Spa dealer can help you with information such as local zoning regulations and building codes.

ELECTRICAL REQUIREMENTS AND PRECAUTIONS

Your Adirondack & Champion Spa has gone through numerous tests to verify that all of the spa functions operate. Beyond the tests, your Adirondack & Champion Spa has been designed to provide the maximum safety against electrical shock. Read and follow the electrical installation requirements and instructions completely. The next few pages will assist you in properly connecting the electrical input. Follow the electrical instructions for your specific spa model. Serious risks or injuries may occur if the spa is improperly wired.

220 Volt Permanently Connected SE and LE Models:

- *Keene/Contender/160 • Champlain/Victory/190 • Caroga/Vision/220 • Saranac/Spectra/250
- Marcy/Conquest/280 • Georgian/Challenger/310 • Paradise/130

*This model is convertible to 110V—See page 17 for installation instructions.

Adirondack & Champion Spas must be wired in accordance with all applicable local electrical codes. All electrical work should be done by an experienced, licensed Electrician. We recommend the use of appropriate electrical conduit, fittings and wire for all circuits.

220 Volt installations require a 60Hz, single phase, three-wire electrical service plus ground (Line 1, Line 2, Neutral and Ground) and must be connected using a minimum supply conductor ampacity of 50 AMPs and a minimum circuit breaker size of 50 AMPs. Note: Use copper wire only (3 wire with ground; 8 gauge under 50', 6 gauge over 50')

220 Volt model spas must be connected to a “dedicated” 220 volt 50 Amp grounded circuit. The term “dedicated” means the electrical circuit is not being used for any other electrical items (lights, appliances, etc.). If the spa is connected to a non-dedicated circuit, overloading will occur and nuisance tripping of the GFCI breaker switch at the house breaker panel will occur.

A ground lug connector is provided on the exterior surface of the spa pack (operations center) inside the equipment compartment. This is to permit the connection of a bonding wire between this point and any metal equipment, enclosures, pipe or conduit within five feet (1.5m) of the spa. This bonding wire must be at least 8AWG solid copper wire.

Important:

Use only approved pressure-type wire splicing lugs or connectors suitable for the size and type of wiring used.

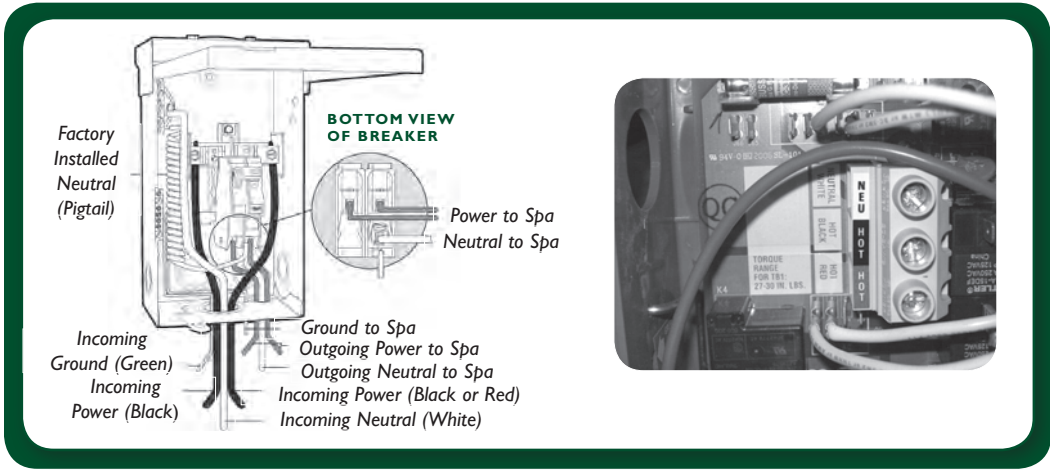
Electrical Installation Instructions for 220 Volt Models

1. To connect the electrical service, first remove the screws from the equipment compartment door. Carefully remove the access panel.
2. Locate the spa power pack. Loosen the screws on the front of the control box. Remove the screws and the control box cover.
3. Input the electrical service from the GFCI breaker into the spa equipment compartment.

Note: The GFCI breaker must be placed in sight of the spa, at a minimum distance of five feet (1.5m) away.

Note: As of January 1, 1996 the National Electric Code (NEC) requires GFCI (Ground Fault Circuit Interrupter) on all spa installations.

4. Connect the supply conduit to the spa power pack.



Electrical Spa Wiring Connection Instructions

Important:

Never, under any circumstances, should you connect power to the neutral terminal.

1. Identify the TB1 terminal block, located inside the spa power pack on the left side.
2. Connect the 8 AWG, WHITE wire, from the GFCI 50 amp breaker, to the WHITE "NEU" terminal on TB1.
3. Connect the 8 AWG, BLACK wire, from the GFCI 50 amp breaker, to the BLACK "HOT" terminal on TB1.
4. Connect the 8 AWG, RED wire, from the GFCI 50 amp breaker, to the RED "HOT" terminal on TB1.
5. Connect the 8 AWG, GREEN wire, from the GFCI 50 amp breaker, to the GREEN "GROUND" location on the "BONDING LUGS" terminal.
6. At least two additional lugs marked "BONDING LUGS" are provided on the external surface of one of the bonded components metal enclosures. To reduce the risk of electrical shock, connect the local common bonding grid in the area of the hot tub or spa to these terminals with an insulated or bare copper conductor not smaller than No. 6 AWG.
7. All field-installed metal components such as rail, ladders, drains or other similar hardware within 10 ft (3m) of the spa or hot tub shall be bonded to the equipment grounding bus with copper conductors not smaller than No. 6 AWG.
8. Replace the control box cover and securely tighten the fastening screws. Close and secure the equipment compartment panel.

Note: Always use copper wire only (3 wire with ground; 8 gauge under 50ft, 6 gauge over 50ft) The electrical supply for this product must include a suitable rated switch or circuit breaker to open all ungrounded supply conductors to comply with Section 422.20 of the National Electrical Code ANSI/NEPA 70-1987. The disconnecting means must be readily accessible to the tub occupant but installed at least 5 feet (1.5m) from tub water

Important:

Please review the back of the spa pack cover, located in the spa equipment bay, for a complete spa equipment wiring diagram.

110 / 220 VOLT CONVERTIBLE MODELS

- Keene/ Contender/ 160

110 VOLT ELECTRICAL REQUIREMENTS:

The above model is manufactured with the Adirondack and Champion Spa Models 110V/220V convertible spa pack. The unit is factory wired for 220 Volt applications with 4 kW heater operation. The model can be converted for 110 Volt applications and to run with a 1 kW heater operation.

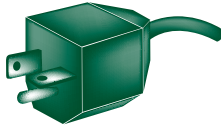
The 110 Volt model must be connected to a “dedicated” 110 Volt 20Amp grounded circuit. The term “dedicated” means the electrical circuit is not being used for any other electrical items (lights, appliances, etc.). If the spa is connected to a non-dedicated circuit, overloading will occur and nuisance tripping of the GFCI breaker switch at the house breaker panel or GFCI cord will occur. Never connect the spa to an extension cord.

The 110 Volt models may be optionally equipped with a GFCI power cord (approximately 13 feet long). This model must be plugged into a grounding type, 110 Volt 20 Amp receptacle as shown below. No other electrical appliances or fixtures should be used on this circuit.

CORRECT

Dedicated 110V, 20A Receptacle

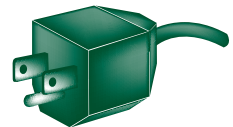
Data label amperage rating of 16 Amps must use this type of 20 Amp dedicated receptacle and plug.



INCORRECT

Dedicated 110V, 15A Receptacle

Do not use this type.



WARNING:

The use of any other receptacle or the connection of the plug to a 220 Volt service may cause the spa pack to operate improperly, create the potential for an electrical hazard and may void the spa warranty.

Adirondack & Champion Spa models must be wired in accordance with all local electrical codes. All electrical work should be done by an experienced, licensed electrician familiar with spa installations.

Note: As of January 1, 1996 the National Electrical Code (NEC) requires a GFCI (Ground Fault Circuit Interrupter) on all spa installations.

INSTALLATION INSTRUCTIONS:

The following instructions are for the conversion of the Adirondack and Champion Spa 110V/220V control pack from a 220 Volt application to a 110 Volt application.

Important:

Use only approved pressure-type wire splicing lugs or connectors suitable for the size and type of wiring used.

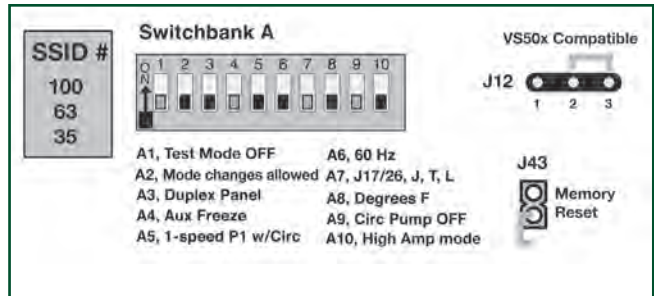
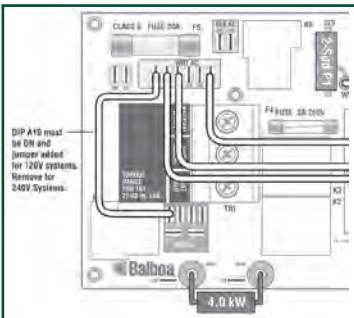
Before servicing the spa, make sure all power to the spa is disconnected. Follow these instructions for a successful electrical installation.

1. Unscrew the screws on the front access panel.
2. Carefully pull access panel toward you (away from spa) and pull upward. Set access panel aside.
3. Locate the spa power pack. Loosen the screws on the front of the control box. Remove the control box cover and the terminal block will be exposed.
4. Route the GFCI power cord through the vent hole in the base of the equipment compartment and out from under the corner of the spa.

Note: 110 Volt installations require a 60Hz, single phase, two-wire electrical service plus ground (Line 1, Neutral and Ground) and must be connected using a minimum supply conductor ampacity of 20 Amps and a minimum GFCI circuit breaker size of 20Amps.

5. Input the GFCI power cord to the terminal block inside the spa pack.
6. Connect the 8 AWG WHITE wire, from the power cord, to the WHITE "NEU" terminal on TB1.
7. Connect the 8 AWG BLACK wire, from the power cord, to the BLACK "HOT" terminal on TB1.
8. Connect the 8 AWG GREEN wire, from the power cord, to the GREEN "GROUND" location on the "BONDING LUGS" terminal.
9. Connect jumper wire (jumper wire taped to the back of the spa pack) to J11 and J32.
10. Move dip switch #10 to the ON position.
11. Replace the control box cover and securely tighten the fastening screws. Close and secure the equipment compartment panel.

Note: Please review the back of the spa power pack cover, in the equipment bay, for a complete spa wiring diagram.



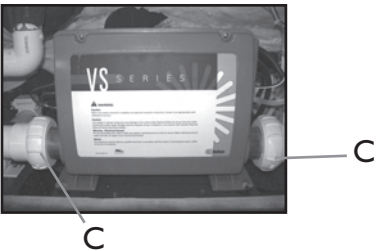
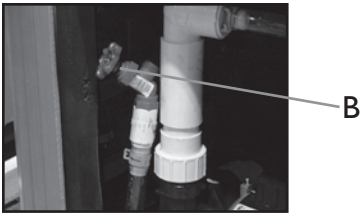
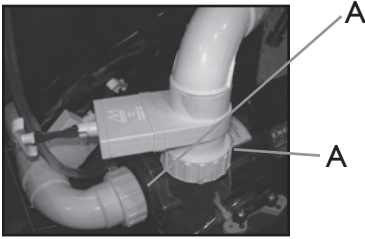
INITIAL OPERATING INSTRUCTIONS

Start-Up and Refill Procedures

Your Adirondack & Champion Spa has been tested at the manufacturing plant to ensure that all of the spa functions operate. During the test procedure, a small amount of water may have remained in the spa plumbing. Through the shipping process water may have spotted the spa shell. You may need to wipe down the shell with a soft cloth. Please read and follow the start-up instructions to ensure a successful start-up or refill.

Important:

- Inspect and clean spa shell of any debris
- Do not turn power on to spa unless filled with water to appropriate level (See Page 20). The spa pack must never be operated without water in the spa; serious damage to the heater and/or pump(s) may result.
- Do not fill spa with water before checking the items below (below items may become loose in transit):



A. Hand tighten unions at the pumps

B. Tighten drain valve

Note: The Drain Valve is left open for shipping and must be closed before filling spa.

C. Tighten unions on heater

- Do not fill spa with hot water. This may cause a false error code to the temperature sensor.

Start-up Procedures - SE Models

1. For a successful start-up, remove both filter cartridges, and fill the spa with water through the openings in the filter compartment.
 - a. Locate the filter compartment area.
 - b. Pull up and remove filter cover.
 - c. Remove each filter cartridge and screen adapter by turning counter clockwise.
 - d. After removing the filter cartridges and screen adapters, place a garden hose through one of the filter openings.
 - e. Turn water on and run water until it reaches a minimum level of 2" above the top of the filters.

Note: Besides filling the spa to 2" above the top of the filter, all models will need to be filled to 2" above the highest jet(s) in the spa. This is the minimum level allowed to run the spa's circulation system, and/or jet pump(s).

2. Check all plumbing (clamps, unions and drain valve) connections for leaks.
3. Re-install filter cartridges and screen adapters by turning them clockwise. Exit garden hose from the spa.
4. At this point, turn power on to the spa control system by turning on the GFCI breaker. When your spa is first actuated, it will go into Priming Mode, indicated by "Pr". During this mode the heater is disabled to allow the priming process to be completed. As soon as "Pr" is indicated on the topside panel, push the **Jet(s)** button(s) until the pump(s) are running at high speed. If the pump(s) have been primed continue to step 5. If the pump(s) have not primed after 2 minutes, and the water is not flowing from the jets in the spa it may be necessary to manually prime the pump(s) by taking the following steps: First turn the power off at the GFCI breaker. Next loosen the union nuts on the pump(s). Allow for a small amount of water and the trapped air to escape from the pump(s). Once all the air has escaped tighten the union nuts back down. After the pump(s) have been vented, turn on the spa control system by turning on the GFCI breaker. The spa will now go back into priming mode.
5. After the pumps are primed turn them off by pressing the **Jet(s)** button(s). Next manually exit the priming mode by pressing the **Temp** button. After you have manually exited the priming mode the display will show the set temperature, which defaults at 100° F/37° C, followed by two dashes (--). This will last for two minutes while the water temperature is determined. Push the **Temp** button until you reach your desired setting.
6. Re-install filter cover and allow spa to heat to desired set temperature; this normally takes 24 hours. 110 Volt models may take up to 48 hours to reach desired set temperature.
7. Water must be balanced and shocked upon start-up. See your dealer or pages 32-34 of this manual for details. This procedure must be repeated each time the spa is drained and refilled.

Note: It is recommended to press and release the ground fault circuit interrupter (GFCI) RESET button monthly to verify GFCI is working properly.

Note: When there is a heat demand, a cool down period (30 seconds after heater turns off), or when the pump is running because of a filter cycle, the controller will turn the pump on low speed.

Start-up Procedures - LE Models

1. For a successful start-up, remove both filter cartridges, and fill the spa with water through the openings in the filter compartment.
 - a. Locate the filter compartment area.
 - b. Pull up and remove filter cover.
 - c. Remove each filter cartridge and screen adapter by turning counter clockwise.
 - d. After removing the filter cartridges and screen adapters, place a garden hose through one of the filter openings.
 - e. Turn water on and run water until it reaches a minimum level of 2" above the top of the filters.



Note: Besides filling the spa to 2" above the top of the filter, all models will need to be filled to 2" above the highest jet(s) in the spa. This is the minimum level allowed to run the spa's circulation system, and/or jet pump(s).

2. Check all plumbing (clamps, unions and drain valve) connections for leaks.
3. Re-install filter cartridges and screen adapters by turning them clockwise. Exit garden hose from the spa.
4. At this point, turn on the spa control system by turning on the GFCI breaker. When your spa is first actuated, it will go into Priming Mode, indicated by "Pr". During this mode the heater is disabled to allow the priming process to be completed. As soon as "Pr" is indicated on the topside panel, push the **Jet(s)** button(s) until the pump(s) are running in high speed. If the pump(s) have been primed continue to step 5. If the pump(s) have not primed after 2 minutes, and water is not flowing from the jets in the spa it may be necessary to manually prime the pump(s) by taking the following steps: First turn the power off on the GFCI breaker. Next loosen the union nuts on the pump(s). Allow for a small amount of water and the trapped air to escape from the pump(s). Once all the air has escaped tighten the union nuts back down. After the pump(s) have been vented, turn on the spa control system by turning on the GFCI breaker. The spa will now go back into priming mode.
5. After the pumps are primed turn off by pressing the Jet(s) button(s). Next manually exit the priming mode by pressing either the **Warm** or **Cool** button. After you have manually exited the priming mode the display will show the set temperature, which defaults at 100° F/ 37°C, followed by two dashes (--). This will last for two minutes while the water temperature is determined. Push the **Warm** or **Cool** button to the desired setting.
6. Re-install filter cover and allow spa to heat to desired set temperature: this normally takes 24 hours.
7. Water must be balanced and shocked upon start-up. See your dealer or pages 32-34 of this manual for details. This procedure must be repeated each time the spa is drained and refilled.

Note: It is recommended to press and release the ground fault circuit interrupter (GFCI) RESET button monthly to verify GFCI is working properly.

Important:

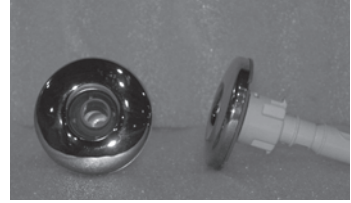
A pump should not be allowed to run without priming for more than 2 minutes. Under NO circumstances should a pump be allowed to run without priming beyond the end of the 4 minutes priming mode. Doing so may cause damage to the pump and cause the system to go into an overheat condition.

JET IDENTIFICATIONS

VERSA-FLO™ JET DESCRIPTIONS

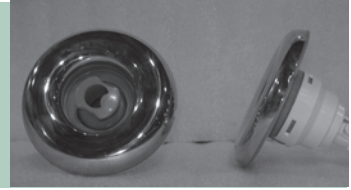
Cluster and Cluster Pulse Jet

The Cluster Jet provides a concentrated stream of water and air for precise pressure point areas, while the Pulse version provides a pulsating massage to the pressure point area



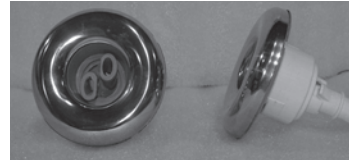
Mini Swirl Jet (Standard Jet)

The Mini Swirl Jet has an adjustable eyeball for directional or rotational use. To change from directional to rotational, with finger, simply adjust inner nozzle to the rotating position.



Mini Twin Roto Jet (Standard Jet)

This jet provides multiple adjustment for various rotational intensities. Adjust by spreading the nozzles apart.



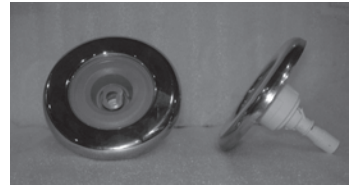
XtraFlo Mini Jet (Deluxe Jet)

This jet provides a balanced mix of air and water to give a soft, powerful, direct pressure massage to mid-size muscle groups. The design allows for higher GPM for performance and maximum relief.



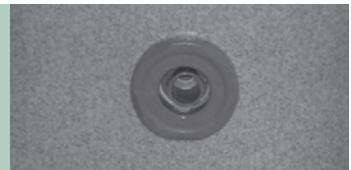
XtraSwirl Mini Jet (Deluxe Jet)

A larger version of the Mini Swirl Jet, this jet gives a mid-size rotational massage and pulsating massage. To change from directional to rotational, with finger, simply adjust inner nozzle to the rotating position.



Diverter Jet (Paradise Only)

This jet provides a whirlpool effect by rotating the outside ring, allowing all the water to move through the Diverter Jet when the jet is operating.



CFE™ JET DESCRIPTIONS

Power Massage Plus® and Power Massage®*

Patented jet provides dual water massage to your neck or back from under the built-in headrest. The jet is controlled by a small selector valve, giving the bather total control.

** Provides a single ribbon of water flow parallel to the body, available on the Adirondack/ Champion Models*



Note: Not all jets are available in all models

**SE Model Jets come standard with grey accents*

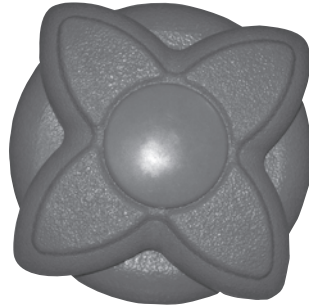
**LE Model Jets come standard with stainless accents*

ADIRONDACK & CHAMPION SPA VALVES

The jets in the Adirondack & Champion Spa Line have different ways to adjust the jet therapy systems. While having the Hydro Jet pump(s) on, the user has the ability to turn on and off each individual Versa-Flo™ Jet. The Versa-Flo™ Jet(s) can be turned on and off by turning the outer scallop on the face of the jet. In addition to having the ability to control each individual jet, the jets can be adjusted by zones, by moving the Versa-Flo™ Micro Valve. The Versa-Flo™ Air Control Valve controls the intensity of the jets by opening or restricting airflow.



Versa-Flo™ Micro Valve



Versa-Flo™ Air Control Valve



*shown as LE Model

EQUIPMENT MAINTENANCE

Replacing the Spa's Light Bulb

The spa's light bulb is located inside the equipment compartment. Remove the front access panel, by first removing the screws on the access panel. Then locate the light housing mounted to the spa shell. Grasp the bulb holder on the back of the light niche. Turn bulb holder counter clockwise to release it from the light niche. Pull bulb out of receptacle and replace it with a new light bulb, available at your Adirondack & Champion Spa dealer. Re-attach the light bulb holder to the light niche by turning the light bulb holder clockwise.

CONTROL PANEL FUNCTIONS - SE MODELS

MAIN CONTROL PANEL

The panel/topside will indicate the operations of the hydro jet pump(s), spa light, water temperature and will display diagnostic symbols.

Adirondack & Champion Spa models are equipped with a main control panel located on the top collar of the spa. The main control panel controls all of the spa functions. It displays the spa's status and any diagnostic messages.

MAIN CONTROL PANEL BUTTONS AND DIGITAL DISPLAY

The main control panel has buttons, which the spa user presses to set the temperature, vary the intensity of the light and activate or deactivate the hydro jet pump(s). The control panel also has a digital display that displays the spas diagnostics (i.e.-temperature setting, jet functions or error messages).

Temperature Control

The set temperature range is from 80°F (26°C) to 104°F (40°C). The temperature of the spa water will automatically be 100°F (37°C) the first time that power is applied. This is the default temperature setting programmed at the factory.

To display the set temperature of the spa, press the **Temp** button once.

To change the set temperature of the spa, press the **Temp** button a second time before the display stops flashing. Each press of the **Temp** button will continue to either raise or lower the set temperature.

If the opposite direction is desired, release the button and let the display revert to the current water temperature. Press the **Temp** button to display the set temperature, and again to make the temperature change in the desired direction.

After three seconds the display will stop flashing and display the current spa temperature.

Note: When first powering up the spa the water temperature will not be displayed until the pump has been running for at least two minutes.

Note: The temperature shown on the display without pressing the **Temp** button reflects the temperature of the water at that particular moment.

OPERATING THE HYDRO PUMPS ON SE MODELS

Jets Button

Activates the hydro jet pump(s) for maximum hydrotherapy jet action. Press the **Jets** button once for low speed, twice for high speed and a third time to turn the pump off. If your spa has a two pump system there will be a one speed pump and a two speed pump. For the one speed pump press the **Jets** button once for high speed and again to turn the pump off. When the pump(s) are activated the indicator below the Jets button will light up. The pump(s) will shut-off automatically after 15 minutes on high speed and 4 hours on low speed.

Note: The spa light will begin flashing 15 seconds before the pumps shut off as a reminder, that the pump(s) cycle is about to end.

Note: Adirondack & Champion Spas are designed for maximum heat retention. The unit is not designed to cool water. If the set or desired temperature is below that of the ambient temperature, the unit will not be able to achieve this demand. Depending on the desired temperature, it may be necessary to add cool water to the unit to lower your spas water temperature.



Light Control Button

The spa light is controlled using the **Light** button. To turn on the spa light, press the Light button. To turn off the light, press the Light button a second time. If the light is left on it will automatically be turned off by the control system after two hours of continuous operation.

Optional LED Blast™ or Color Splash™ Lighting

See operational features and directions located in the Blast™ or Color Splash™ box, or contact your dealer for instructions.

SE - HEATING MODES

The heat mode on the SE Models are programmed to maintain the desired temperature. Note that the last measured spa temperature displayed is current only when the pump has been running for at least 2 minutes. "St" will be displayed momentarily when you are in Standard Mode.

Preset Filter Cycle

The first filter cycle begins 6 minutes after the spa is powered up. The second filter cycle begins 12 hours later. Filter duration is programmable for 2, 4, 6, 8 hours or for continuous filtration, which is indicated by "FC" on the display. The default filter cycle is 2 hours. To program, press **Temp** button, then press **Jets** button. Then press **Temp** to select the number of hours you want the tub to filter. Then press **Jets** to exit programming.

The low speed pump will run during the filtration cycles and the ozone generator will be enabled.

Summer Set Mode

Your spa is equipped with this feature to prevent heat build up. The Summer Set Mode is activated when the water temperature exceeds the set temperature by 3°F. When the Summer Set Mode is activated it will suspend the filter cycle for 30 minutes, then Pump 1 will run on low speed for 2 minutes. It will continue this way until the water temperature returns to the set temperature.

Freeze Protection

If the temperature sensors detect a drop to below 44°F/6.7°C within the heater, the pump(s) will automatically activate to provide freeze protection. After the sensors detect that the spa temperature has risen to 45°F/7.2°C or higher, the pumps will stay on for 4 minutes.

CONTROL PANEL FUNCTIONS - LE MODELS

MAIN CONTROL PANEL

The panel/topside will indicate the operations of the hydro jet pump(s), spa light, water temperature and will display diagnostic symbols.

Saratoga Spa models are equipped with a main control panel located on the top collar of the spa. The main control panel controls all of the spa functions. It displays the spa's status and any diagnostic messages. The main control panel and digital display are illuminated by a light from the inside of the panel.

MAIN CONTROL PANEL BUTTONS AND DIGITAL DISPLAY

The main control panel has buttons which the spa user presses to set the temperature, vary the intensity of the light and activate or deactivate the hydro jet pump(s). The control panel also has a digital display that displays the spa diagnostics (ie-temperature setting, jet functions or error messages).

Temperature Control

The set temperature range is from 80°F (26°C) to 104°F (40°C). The temperature of the spa water will automatically be 100°F (37°C) the first time that power is applied. This is the default temperature setting programmed at the factory.

To display the set temperature of the spa, press the **Warm** or **Cool** button once.

To raise the set temperature of the spa, press the **Warm** button a second time before the display stops flashing. Each press of the **Warm** button will continue to raise the set temperature.

To lower the set temperature of the spa, press the **Cool** button a second time before the display stops flashing. Each press of the **Cool** button will continue to the lower set temperature.

After three seconds the display will stop flashing and display the current spa temperature.

Note: When first powered up the water temperature will not be displayed until the pump has been running for at least two minutes.

Note: The temperature shown on the display without pressing the Warm or Cool button reflects the temperature of the water at that particular moment.

OPERATING THE HYDRO PUMPS ON LE MODELS

Jets 1 Button

Activates the hydro jet pump #1 for maximum hydrotherapy jet action. Press the **Jets 1** button once for low speed, again for high speed and again to turn the pump off. When the pump is activated the indicator above the **Jets 1** button will light up. The pump will turn off automatically after 15 minutes on high speed and 4 hours on low speed.

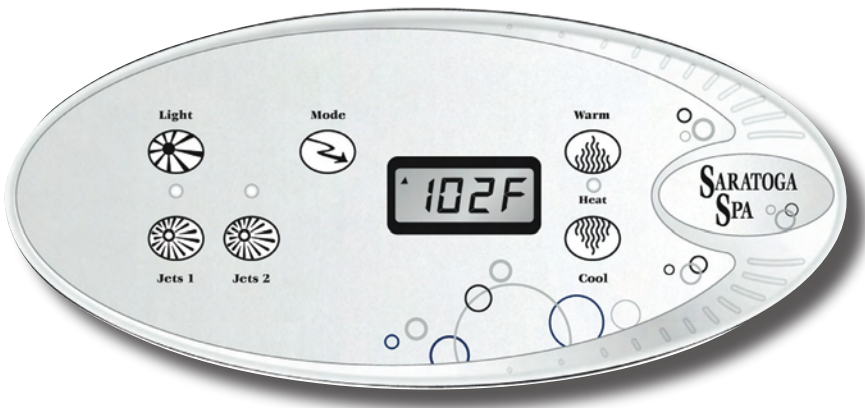
Jets 2 Button

Activates the hydro jet pump #2 for maximum hydrotherapy jet action. Press the **Jets 2** button once for high speed and again to turn the pump off. When the pump is activated the indicator above the **Jets 2** button will light up. The pump will turn off automatically after 15 minutes on high speed.

Note: The spa light will begin flashing 15 seconds before the pumps shut off as a reminder, that the pump(s) cycle is about to end.

Note: The Keene, Champlain and Caroga model have only one jet pump.

Note: Saratoga Spas are designed for maximum heat retention. The unit is not designed to cool water. If the set or desired temperature is below that of the ambient temperature, the unit will not be able to achieve this demand. Depending on the desired temperature, it may be necessary to add cool water to the unit to lower your spas water temperature.



LE - HEATING MODES

Mode is changed by pressing the **Warm** or **Cool** button, then pressing the **Mode** button.

Standard Mode is programmed to maintain the desired temperature. Note that the last measured spa temperature displayed is current only when the pump has been running for at least 2 minutes. "Std" will be displayed momentarily when you switch into Standard Mode.

Economy Mode heats the spa to the set temperature only during filter cycles. "Ecn" will display solid when temperature is not current, and will alternate with temperature when temperature is current.

Sleep Mode heats the spa within 20°F/10°C of the set temperature only during filter cycles. "SLP" will display solid when temperature is not current, and will alternate with temperature when temperature is current.

Preset Filter Cycles

The first filter cycle begins 6 minutes after the spa is powered up. The second filter cycle begins 12 hours later. Filter duration is programmable for 2, 4, 6, 8 hours or continuous filtration (indicated by "FLC"). The default filter time is 2 hours.

Note: The LE Models are equipped with a Circulation Pump that does the spas circulation/ filtration.

- To program, press **Warm** or **Cool** then **Jets 1**. Press **Warm** or **Cool** to adjust. Press **Jets 1** to exit programming.
- At the beginning of each filter cycle, the low speed of the pump runs and the ozone generator (if installed) will be enabled.

Freeze Protection

If the temperature sensors detect a drop to below 44°F/6.7°C within the heater, the pumps will automatically activate to provide freeze protection. The equipment stays on until 4 minutes after the sensors detect that the spa temperature has risen to 45°F/7.2°C or higher.

Summer Set Mode

Your spa is equipped with this feature to prevent heat build up. Summer Set Mode is activated when the water temperature exceeds the set temperature by 3°F. When the Summer Set Mode is activated it will suspend the filter cycle for 30 minutes, then Pump 1 will run on low speed for 2 minutes. It will continue this way until the water temperature returns to the set temperature.

SE - DIAGNOSTIC MESSAGES

Message	Meaning	Action Required
	No message on display. Power has been cut off to the spa.	The control panel will be disabled until power returns. Spa settings will be preserved until next power up.
--	Temperature unknown.	After the pump has been running for 2 minutes, the temperature will be displayed.
HH	"Overheat" - The spa has shut down. One of the sensors has detected 118°F/48°C at the heater.	DO NOT ENTER THE WATER. Remove the spa cover and allow water to cool. Once the heater has cooled, reset by pushing any button. If spa does not reset, shut off the power to the spa and call your dealer or service organization.
DH	"Overheat" - The spa has shut down. One of the sensors has detected that the spa water is 110°F/43°C.	DO NOT ENTER THE WATER. Remove the spa cover and allow water to cool. At 107°F/42°C, the spa should automatically reset. If spa does not reset, shut off the power to the spa and call your dealer or service organization.
IC	"Ice" - Potential freeze condition detected.	No action required. The pump and blower will automatically activate regardless of spa status.
SA	Spa is shut down. The sensor that is plugged into the Sensor "A" jack is not working.	If the problem persists, contact your dealer or service organization. (May appear temporarily in an overheat situation and disappear when the heater cools.)
Sb	Spa is shut down. The sensor that is plugged into the Sensor "B" jack is not working.	If the problem persists, contact your dealer or service organization. (May appear temporarily in an overheat situation and disappear when the heater cools.)
Sn	Sensors are out of balance. If alternating with spa temperature, it may just be a temporary condition. If flashing by itself, spa is shut down.	If the problem persists, contact your dealer or service organization.
HL	A significant difference between temperature sensors has been detected. This could indicate a flow problem.	Check water level in spa. Refill if necessary. If the water level is okay, make sure the pumps have been primed. If problem persists, contact your dealer or service organization.
LF	Persistent low flow problems. (Displays on the fifth occurrence of "HL" message within 24 hours.) Heater is shut down, but other spa functions continue to run normally.	Follow action required for "HL" message. Heating capability of the spa will not reset automatically; you may press any button to reset.
dr	Possible inadequate water, poor flow, or air bubbles detected in the heater. Spa is shut down for 15 minutes.	Check water level in spa. Refill if necessary. If water level is okay, make sure the pumps have been primed. Press any button to reset, or this message will automatically reset within 15 minutes. If problem persists, contact your dealer or service organization.
dy	Inadequate water detected in heater. (Displays on third occurrence of "dr" message.) Spa is shut down.	Follow action required for "dr" message. Spa will not automatically reset. Press any button to reset.

LE - DIAGNOSTIC MESSAGES

Message	Meaning	Action Required
	No message on display. Power has been cut off to the spa.	The control panel will be disabled until power returns. Spa settings will be preserved until next power up.
--	Temperature unknown.	After the pump has been running for 2 minutes, the temperature will be displayed.
<i>DHH</i>	“Overheat” - The spa has shut down. One of the sensors has detected 118°F/48°C at the heater.	DO NOT ENTER THE WATER. Remove the spa cover and allow water to cool. Once the heater has cooled, reset by pushing any button. If spa does not reset, shut off the power to the spa and call your dealer or service organization.
<i>DHS</i>	“Overheat” - The spa has shut down. One of the sensors has detected that the spa water is 110°F/43°C.	DO NOT ENTER THE WATER. Remove the spa cover and allow water to cool. At 107°F/42°C, the spa should automatically reset. If spa does not reset, shut off the power to the spa and call your dealer or service organization.
<i>ICE</i>	“Ice” - Potential freeze condition detected.	No action required. The pump and blower will automatically activate regardless of spa status.
<i>SnA</i>	Spa is shut down. The sensor that is plugged into the Sensor “A” jack is not working.	If the problem persists, contact your dealer or service organization. (May appear temporarily in an overheat situation and disappear when the heater cools.)
<i>SnB</i>	Spa is shut down. The sensor that is plugged into the Sensor “B” jack is not working.	If the problem persists, contact your dealer or service organization. (May appear temporarily in an overheat situation and disappear when the heater cools.)
<i>SnS</i>	Sensors are out of balance. If alternating with spa temperature, it may just be a temporary condition. If flashing by itself, spa is shut down.	If the problem persists, contact your dealer or service organization.
<i>HFL</i>	A significant difference between temperature sensors has been detected. This could indicate a flow problem.	Check water level in spa. Refill if necessary. If the water level is okay, make sure the pumps have been primed. If problem persists, contact your dealer or service organization.
<i>LF</i>	Persistent low flow problems. (Displays on the fifth occurrence of “HFL” message within 24 hours.) Heater is shut down, but other spa functions continue to run normally.	Follow action required for “HFL” message. Heating capability of the spa will not reset automatically; you may press any button to reset.
<i>dr</i>	Possible inadequate water level, poor flow, or air bubbles are detected in the heater. Spa is shut down for 15 minutes.	Check water level in spa. Refill if necessary. If water level is okay, make sure the pumps have been primed. Press any button to reset, or this message will automatically reset within 15 minutes. If problem persists, contact your dealer or service organization.
<i>dry</i>	Inadequate water level detected in heater. (Displays on third occurrence of “dr” message.) Spa is shut down.	Follow action required for “dr” message. Spa will not automatically reset. Press any button to reset.

SPA CARE AND WATER MAINTENANCE

GENERAL INFORMATION

Your Adirondack & Champion Spa is manufactured from the highest quality, most durable materials available today. We recommend that a spa maintenance program be followed. The care you take will ultimately determine how long your spa or its individual components will last. This section will help you maintain your investment.

Replacing The Water

Proper spa maintenance (regular draining and replacing of spa water according to these directions along with filter cleaning), proper spa water treatment (water balance and maintaining correct sanitizer levels), and proper installation (adequate ventilation) are the keys to ensuring sanitary, healthy spa water.

It is recommended that you completely drain your spa every 45 to 90 days. Normally, after a period of time the water will become sudsy and harder to maintain and should be replaced. The IPSE WRI, Water Replacement Interval Formula is as follows:

$$\text{WRI} = \frac{.33 \times \text{Spa Volume in US Gallons}}{\text{Average Bathers per Day}}$$

Note: Heavy usage may require more frequent draining.

To Drain Your Spa:

1. Disconnect the spa from the power supply by tripping the GFCI breaker located in the house breaker panel or at the GFCI disconnect breaker at the spa.
2. Take off the equipment access panel by first removing the screws and then pulling out the access panel. Locate main drain valve and attach the inlet of a garden hose to the drain valve. Route garden hose to an appropriate draining area away from the spa to avoid flooding of the surroundings around the spa.

Note: Spa water with a high sanitizer level may harm plants and grass.

3. Open the drain valve by turning the knob. The spa will drain by gravitational flow.
4. Adirondack & Champion Spas will drain to the lower suction fittings in the footwell of the spa. It may be necessary to vacuum or sponge up a small amount of the remaining water in the spa.
5. When empty, inspect the spa shell and clean as required.
6. Close the drain valve and remove garden hose.
7. Replace or close the equipment access door and replace screws.
8. Refill the spa through the filter compartment BEFORE restoring power.

Important:

Always clean the filter cartridges each time the spa is drained for cleaning.

Filter System

Adirondack & Champion Spas are equipped with two standard filter cartridges. As with any filtering system, the filter cartridges may become clogged with particles, body oils or calcification resulting in poor water quality and reduced water flow. It is important to maintain a clean, unobstructed filtering system. A reduced water flow may cause a failure of the filter cycles to operate due to the pump shutting down. If the circulation of water stops during sub-freezing temperatures and goes unnoticed, the spa water may freeze, which is not covered under manufacturer's warranties.

WARNING:

The frequency and duration of use, and the number of occupants, all contribute to determining the appropriate time between filter cleanings. More use means that more frequent filter cleanings are required. Failure to maintain the cartridges in a clean, unobstructed manner will result in reduced water flow. Any damage to the spa due to freezing or caused as a result of poor maintenance will not be covered by your spa warranty.

FILTER CARTRIDGE REMOVAL AND CLEANING

1. Disconnect the spa from the power supply by tripping the GFCI breaker at the spa.
2. Remove and carefully set aside the filter compartment cover.
3. Remove any floating items from within the filter compartment.
4. Grasp the handle of the filter cartridge and turn the cartridge clockwise until it is free from the base retainer. Leave screen adapter in place.
5. Place the cartridge on a clean surface and spray with a garden hose. It will be necessary to rotate the cartridge(s) to ensure all the filter pleats have been cleaned.
6. Continue cleaning by spraying down throughout the center of the cartridge (inside out).
7. For a complete and more thorough cleaning it is recommended to soak cartridges in a filter cleaning solution. Follow directions on the filter cleaner label.
8. Before inserting cartridges, do a final inspection of the cartridges.
9. To reinstall the filter cartridges, reverse the order in which the cartridges were removed.

WARNING:

Do not turn power on or use the spa with the filter cartridges or screen adapters removed.

Note: Spa cartridges are a disposable item and should be replaced each year.

CARE OF THE SPA PILLOWS

The spa pillows used on Adirondack & Champion Spa models will provide years of comfort if treated with care. To extend their life the spa pillows should be removed and cleaned. Wash with a mild soap and water solution. ALWAYS rinse off the spa pillows thoroughly to remove any soap residue. If the spa is not going to be used for a long period of time the spa pillows should be removed until the next spa use.

To remove and replace the spa pillows:

1. Carefully lift one end of the pillow away from the spa shell.
2. Continue lifting one end until it is released from the attachment bar on the spa shell. Do the same to loosen the other end of pillow.

3. To reinstall the spa pillow, carefully bend the pillow slightly to allow the slit on the back of the pillow to slip over the attachment bar retainer on the spa shell.
4. After the pillow slips over the attachment, press the pillow down into the recess in the spa shell.

Important:

Just pulling the pillow straight up and off of the attachment bar will eventually damage the pillow. This abuse is not covered under warranty.

CARE OF THE EXTERIOR

Spa Shell

Your Adirondack & Champion Spa is manufactured with a tough acrylic surface. Some staining or water marking may occur at or above the water surface. Removal of these surface conditions can usually be accomplished with a soft cloth by merely wiping them away. Stubborn stains can be removed first by draining the spa and then using a nonabrasive product. Always thoroughly rinse off any spa shell cleaning agent with fresh water.

Important:

Keep all cleaners out of the reach of children and use care when applying.

Spa Cabinet

The skirt around your Adirondack & Champion Spa is manufactured with the finest quality material and is available in a low maintenance exterior.

WeatherAll™ Skirt

The WeatherAll™ skirt combines the durability of plastic with the look of professionally finished wood. To remove any stains or dirt simply spray the skirt with water and wipe down with a soft cloth. WeatherAll™ is not designed to be stained or resealed.

Note: WeatherAll™ could experience natural fading due to sunlight and weather exposure. This condition is not covered under warranty.

CARE OF THE SPA COVER

Vinyl Cover

Your vinyl thermal spa cover has been designed for your particular spa. Monthly cleaning and conditioning is recommended to maintain its beauty.

To clean and condition the vinyl cover:

1. Remove the cover from the spa and gently lean it against a wall or fence.
2. With a garden hose, spray the cover to loosen and rinse away dirt or debris.
3. Using a large, non-abrasive sponge and using a very mild soap solution (one teaspoon dishwashing liquid with two gallons of water) scrub the vinyl top in a circular motion. Make sure to rinse all soap off the cover before it dries.
4. Scrub the cover's perimeter and side flaps. Rinse clean with water.
5. Rinse off the underside of the cover with water only (use no soap), and wipe it clean with a dry rag.
6. To condition the cover after cleaning, apply a thin film of saddle soap (follow directions on the container) or vinyl conditioning cream.

Important reminders:

- **Do** unlock and release all cover locks before attempting to open cover.
- **Do** remove snow buildup to avoid damage of the foam core from the additional weight of the snow (not covered under warranty).
- **Do** lock cover lock straps to secure the cover when the spa is not in use.
- **Do not** drag or lift the spa cover using either the flaps, or the cover tie downs.
- **Do not** walk, stand, or sit on the cover.

Important:

Whenever the spa is not in use it is essential that the thermal cover be kept in place. When filled this ensures effective temperature maintenance and economical operation. When empty this prevents potential damage to the spas surface finish that can result from excessive heat caused by the sun. This type of damage is specifically excluded from warranty protection. It is recommended that the thermal cover tie downs always be used to discourage access to the spa by unsupervised children and minimize heat loss.

*The spa cover manufacturer handles all warranty claims. Adirondack & Champion Spa does not handle any warranty issues on the spa cover. Every Adirondack & Champion Spa is equipped with a locking cover that meets the ASTM F1346-91 standard for safety covers.

WINTERIZING YOUR SPA

If you chose not to use your Adirondack & Champion Spa during the winter, it is recommended to properly winterize your spa. Any damage occurring due to accidental freezing of the spa is not covered under warranty.

The following steps are designed to protect your spa from freezing if followed. For ultimate protection against freeze damage to your spa, contact your local Adirondack & Champion Dealer to schedule a winterizing service plan.

1. Turn power off to the spa. Trip GFCI breaker.
2. Unscrew panel screws. Remove access panel.
3. Locate the drain valve and attach a garden hose to the drain valve.
4. Open the drain valve and allow the water to drain (Adirondack & Champion Spas will drain to the drain fitting in the footwell of the spa).
5. Remove filter cartridges and screen adaptors. Clean and store in a dry place.
6. Using a wet/dry Shop Vac vacuum, soak up the water remaining on the bottom of the spa.
7. Open unions at the heater and at the pump(s). Remove pump(s) from spa. Vacuum water from return and suction sides of the plumbing on the pump(s). Vacuum any water from heater housing. Leave unions at the heater and at the pump(s) open.
8. Reverse vacuum and blow out each line of the plumbing going into the pump(s).
9. Remove drain plug(s) from pump(s). Vacuum any water. Leave drain plug(s) open.
10. Place three cups of non-toxic antifreeze in wet end of pump(s). Reinstall pump(s) with unions loose and drain plug(s) out.

Important:

Do not use ethylene glycol based antifreeze. This type of antifreeze is toxic and can damage the spa surface.

11. Place the vacuum hose down the filter cartridge openings and vacuum any water from filter compartment.
12. Disconnect the unions at the circulation pump from both the return and suction side of pump.*
13. Remove circulation pump.*
14. Vacuum up both suction and return side of the circulation pump.*
15. Reverse vacuum and blow out each side of circulation pump. Also, blow out and vacuum any water from the hoses coming into the circulation pump.*
16. Reattach circulation pump and leave hoses unattached.*
17. With a Shop Vac, go to every jet in the spa (including suction fittings) and place vac hose over the face of every jet and vacuum out any water left in the lines. Do the same to the filter housing and filter cartridge openings. Continue to do the same to the heater and the plumbing going into the pump(s). Remove every jet valve assembly and continue to vacuum out any water in the plumbing lines.
18. Wipe down spa shell with a soft clean cloth.
19. Place spa cover over spa and lock into place.
20. To restart the spa, connect all hoses and close all unions. Once all the hoses, jet valve assemblies, and pump unions are reattached, follow the normal fill-up procedures. It may be necessary to flush the spa depending on the amount of antifreeze used.

Note: It may be necessary to lubricate o-rings and gaskets for a positive seal. Use only Adirondack & Champion Spa approved lubricants, contact your local dealer for more information.

WARNING:

If these instructions are not followed, damage due to freezing water in the plumbing lines may occur and is not covered under manufacturer's warranty.

* Not available on the Adirondack/Champion SE Line. The two speed jet pump is used on low speed during filtration cycles.

WATER QUALITY MAINTENANCE

General Information

As the owner of an Adirondack or Champion Spa, endless hours of entertainment, recreation, and relaxation await you. Caring for your spa will become a routine and pleasant part of your daily activities. You will be able to maintain your spa water and keep your spa equipment in excellent condition. To do so you first must balance your spa's water.

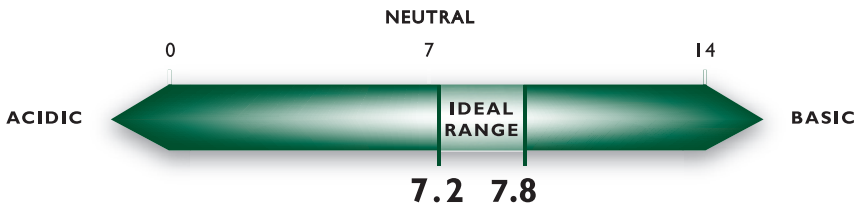
Balanced Water

Balanced water ensures spa bathers safety as well as protecting the spa heater and components from corrosion. Also, balanced water protects the spa surface from unsightly scale deposits, which reduce the efficiency of the spa equipment. You can obtain balanced water by correctly adjusting a few chemical components in the water. Specifically, you will need to adjust the pH, total alkalinity and calcium hardness

Note: Improper water chemistry can result in product failure and invalidate your warranty.

pH

pH is measured on a scale that runs from 0-14. pH indicates whether water is neutral, acidic, or basic. The drawing below shows a pH equal to 7.0 is neutral. A pH below this point is acidic and a pH above this point is basic. **Test pH weekly.**



Recommended Range - 7.2 to 7.8

If the pH is too low it can

1. Corrode metal surfaces.
2. Use excess sanitizer.
3. Irritate bathers' skin and eyes.

If the pH is too high it can

1. Deposit scale on surfaces.
2. Contribute to cloudy water.
3. Cause eye irritation.
4. Reduce sanitizer efficiency.

Adjusting pH

To raise pH add a granular pH Increaser or sodium carbonate at the rate suggested on the container. To lower pH add a granular pH Decreaser, or sodium bisulfate at the rate suggested on the container. After initial application, allow water to circulate approximately 20 minutes on Jets 1 at high speed. Test pH and add second dose if required. (Adirondack and Champion Jets 1 operates 15 minutes)

Total Alkalinity

There are minerals in your spa water that act as buffering agents. Total alkalinity is the measurement of these alkaline materials that help prevent corrosion and staining. The correct amount of alkalinity in your spa water will keep the water's pH consistent while allowing for economical pH adjustment when necessary.

Example: At low total alkalinity levels, the water's pH easily drifts, making frequent pH adjustments necessary and the added expense of multiple chemical treatments.

On the other hand, a high total alkalinity level keeps the water pH rigidly fixed. If pH adjustment is necessary, you will need unusually large amounts of treatment chemicals to change the water's pH.

Recommended Range: 80 to 120 Parts Per Million (PPM)

Potential Problems:

1. pH difficult to maintain. If total alkalinity is too low, pH will drift.
2. Corrosive tendencies. If total alkalinity is too high:
 - pH difficult to adjust (it remains fixed.)
 - Cloudy water.
 - Potential for scaling.
 - High pH and low sanitizer efficiency.

Note: The use of Biguanide, Salt generators and other after market sanitizer/ disinfectant systems may damage components and void your spa's warranty.

TESTING WEEKLY

Adjusting Total Alkalinity

Total Alkalinity can be raised with Alkalinity Increaser, or sodium bicarbonate at the manufacturer's recommendation for dosage.

Calcium Hardness

Calcium hardness is the amount of dissolved calcium in your spa water. Too little calcium in the water will etch plaster surfaces, too much will leave deposits on surfaces and equipment.

Recommended Range: 125-150

Potential Problems:

Calcium Hardness Too Low

- Some surfaces may be etched.
- May lead to equipment corrosion.

Calcium Hardness Too High

- May contribute to cloudy water.
- Scaling of surface, piping and equipment.

Adjusting Calcium Hardness

Raise hardness by the addition of calcium chloride. Decrease calcium hardness by draining spa and replacing with water containing lower levels of calcium hardness.

Disinfectant

- Brominating Tablets, Granular Bromine and Granular Chlorine are popular disinfectants and are particularly well suited to compliment your ozone purification system spa. They are also very suitable products in water with elevated temperatures.
- Brominating Tablets and Granular Bromine are effective as a spa water sanitizer and disinfectant. Follow manufacturer's directions for proper dosage. It is recommended to maintain an active bromine residual of 2.0 to 4.0 ppm.
- Granular Chlorine (Dichlor Dihydrate, Lithium Hypochlorite), is designed to dissolve quickly and completely, provide a steady source of available chlorine to control the growth of algae, kill bacteria and destroy organic contaminants. It is recommended to maintain a chlorine residual of between 1.0 and 3.0 ppm. Non-Chlorine type shock will oxidize or destroy most of the organic contaminants that result from bather load. This quick acting oxidizing shock treatment goes to work almost immediately improving water quality and eliminating irritating wastes and odor. This product is intended to be a shock treatment only, and is not a disinfectant.

Shock Treatment with Granular Disinfectant

Adding granular chlorine or bromine disinfectant to the water in amounts much larger than normal is called “shocking” the spa and should not be confused with non-chlorine shock. An occasional shock treatment destroys algae, bacteria, and chloramines. After shocking your spa, do not allow bathers to enter the spa until disinfectant levels drop to normal.

What Causes Loss of Disinfectant?

- **Algae:** The presence of algae will consume large amounts of disinfectant. If you have an algae problem, the use of an algaecide in addition to disinfectant may be necessary.
- **Bather Load:** The greater the number of people using your spa, the more disinfectant you will need to use.
- **Improper pH:** A high pH above 7.8 substantially retards disinfecting. Keep the pH between 7.2 and 7.8.
- **Sunlight:** The sun’s Ultraviolet (UV) rays readily dissipate disinfectant levels.
- **Water Temperature:** High water temperature accelerates the loss of disinfectant.
- **Weather:** Rain and wind can carry a significant amount of contaminants into your spa.

Remember to Maintain:

- pH 7.2 to 7.8
- Total alkalinity 80 to 120 ppm
- If using brominating tablets, the proper level in dispenser
- Maintain granular chlorine residual level at 1.0 to 3.0 ppm
- Maintain bromine residual level at 2.0 to 4.0
- Calcium hardness 125-150
- Non-chlorine shock weekly or as needed based on spa use
- Test pH, total alkalinity and calcium hardness weekly
- Test disinfectant daily (Spa test kits are available through your Adirondack & Champion Spa Dealer.)

Optional Ozone Generators

The Adirondack & Champion Spa Line are designed ozone ready. The optional ozonator automatically produces ozone when pump 1 is operating on low speed, unless it is overridden by another system protection mode. (For ozone trouble shooting see page 42) The Ozone generator and is a dealer installed item and will need to be replaced approximately every two years. This is a non-warranty item.

What is Ozone?

Ozone is nature’s natural purifier. It is a chemical known as O₃ and is produced from simple oxygen molecules in our atmosphere. Ozone will breakdown and oxidize oils, greases, suntan lotions, sweat, urea, etc. from spa water more effectively than any other oxidizer commercially available. Ozone also assists chlorine, or bromine, to destroy bacteria and viruses and will do so more effectively. Ozone only leaves simple oxygen in the water as a by-product.

How is Ozone Produced?

Ozone is produced in nature from lightning during electrical storms and is also produced from ultraviolet rays from the sun to form our protective ozone layer. Your ozone converter unit is designed to duplicate this natural sanitizer.

Note: Always follow instructions and dosages listed by chemical manufacturers. Use only spa chemicals in your spa. Do not mix chemicals or add chemicals during bather use.

SE OPERATIONS TROUBLE SHOOTING GUIDE

PROBLEM	PROBABLE CAUSE	SOLUTIONS
Spa is not operating	• Power failure	• Check power source
	• GFCI breaker tripped	• Try resetting GFCI breaker. If breaker continues to trip, contact your dealer.
	• Main Fuse Class G	• Contact Dealer
	• Transformer Fuse	• Contact Dealer
Spa is not heating	• Dirty filters	• Clean the filters
	• Air trapped in circulation line	• Using a garden hose, force water through filter cartridge opening or loosen the bottom heater union to allow trapped air to escape.
	• Spa could be in sleep (SL) or economy (Ec) mode.	• Press the Temp then Light button until "St" (standard mode) is displayed.
	• Sensor A or B not working	• Contact your dealer
Poor or no water flowing through the jets	• Dirty filters	• Clean the filters
	• Inadequate water level	• Fill spa to 2" above filters
	• Air lock	• Prime the pump(s) by loosening unions on the pump(s) until air can be heard escaping, then tighten unions.
Spa light out	• Burned out bulb	• Replace with new bulb
	• Light not turned on	• Press the light key to desired style and performance
	• Fuse	• Contact your dealer
Pump(s) turn off unexpectedly	• Automatic 15 minute shut off	• Press jets button again to start another 15 minute cycle
	• Pump(s) may have overheated. Built in protective overheat shut off	• Let pump sit for about 10-15 minutes. Allow pump to cool down, keep vented areas on access panel free from blockage.
	• Pump #2 Fuse	• Contact your dealer

LE MODELS OPERATIONS TROUBLE SHOOTING GUIDE

PROBLEM	PROBABLE CAUSE	SOLUTIONS
Spa is not operating	<ul style="list-style-type: none"> • Power failure • GFCI breaker tripped 	<ul style="list-style-type: none"> • Check power source • Try resetting GFCI breaker. If breaker continues to trip, contact your dealer.
	<ul style="list-style-type: none"> • Main Fuse Class G 	<ul style="list-style-type: none"> • Contact Dealer
	<ul style="list-style-type: none"> • Transformer Fuse 	<ul style="list-style-type: none"> • Contact Dealer
Spa is not heating	<ul style="list-style-type: none"> • Dirty filters • Temperature setting too low 	<ul style="list-style-type: none"> • Clean the filters • Increase the set temperature
	<ul style="list-style-type: none"> • Air trapped in circulation line 	<ul style="list-style-type: none"> • Using a garden hose, force water through Whisper Clean® cartridge opening or loosen the bottom heater union to allow trapped air to escape.
	<ul style="list-style-type: none"> • Spa could be in Sleep (SLP) or Economy (Ecn) Mode. 	<ul style="list-style-type: none"> • Press the Warm or Cool button, then press the Mode button until "Std" (Standard Mode) is displayed.
	<ul style="list-style-type: none"> • Sensor A or B not working 	<ul style="list-style-type: none"> • Contact your dealer
Poor or no water flowing through the jets	<ul style="list-style-type: none"> • Dirty filters • Inadequate water level 	<ul style="list-style-type: none"> • Clean the filters • Fill spa to 2" above filters
	<ul style="list-style-type: none"> • Air lock 	<ul style="list-style-type: none"> • Prime the pump(s) by loosening unions on the pump(s) until air can be heard escaping, then tighten unions.
Spa light out	<ul style="list-style-type: none"> • Burned out bulb • Light not turned on 	<ul style="list-style-type: none"> • Replace with new bulb • Press the light key to desired style and performance
	<ul style="list-style-type: none"> • Fuse 	<ul style="list-style-type: none"> • Contact your dealer
Pump(s) turn off unexpectedly	<ul style="list-style-type: none"> • Automatic 15 minute shut off 	<ul style="list-style-type: none"> • Press jets button again to start another 15 minute cycle
	<ul style="list-style-type: none"> • Pump(s) may have overheated. Built in protective overheat shut off 	<ul style="list-style-type: none"> • Let pump sit for about 10-15 minutes. Allow pump to cool down, keep vented areas on access panel free from blockage.
	<ul style="list-style-type: none"> • Pump #2 Fuse 	<ul style="list-style-type: none"> • Contact your dealer

LE MODEL OPERATIONS TROUBLE SHOOTING GUIDE

PROBLEM	PROBABLE CAUSE	SOLUTIONS
Spa jets/ pump(s) turn on automatically	• Normal power filtration cycle	• No action necessary
	• "Ice Mode"	• No action necessary
Not able to operate main control panel	• Panel may have malfunctioned	• Contact your dealer
Water does not clear up	• Bad water chemistry	• Balance water
	• Dirty filter cartridges	• Clean or replace filters
	• Ozone generator not operating	• Locate ozone generator; a purpler ultraviolet light to be illuminated in the ozone generator
	• Bromine/chlorine residual levels too low	• Adjust Bromine/chlorine levels. Shock if necessary. May have to replace water

CONTROL PANEL ICON IDENTIFICATION



SE Model



LE Model

SERVICE AND WARRANTY INFORMATION

General Service Information

Your Adirondack & Champion spa has been designed to provide years of trouble-free use. As with any appliance, problems may occasionally occur that require the expertise of a qualified service person. Though such simple repairs as resetting a GFCI switch or breaker, resetting a high limit thermostat or replacing a light bulb may not require a service call, they may indicate that a more serious condition exists. These conditions may require an experienced service person. Before calling for service, please refer to the Troubleshooting Guide.

Note: Always retain your original sales receipt for future reference.

Acts Invalidating Warranty

The limited warranty is void if the Adirondack & Champion spa has been improperly installed, subjected to alteration, misuse, or abuse, or if any repairs on the spa are attempted by anyone other than an authorized representative of Adirondack & Champion Spa Company. Alteration shall include any component or plumbing change, electrical conversion, or the addition of any non-approved sanitation or water purification device, or heating system that contributes to component or unit failure or unsafe operating system. Misuse and abuse shall include any operation of the spa other than in accordance with Adirondack & Champion Spa Company printed instructions, or use of the spa in an application for which it is not designed; specifically: use of the spa in a non-residential application; damage caused by operation* of the spa at water temperatures outside the range of 35°F and 120 °F; damage caused by a dirty, clogged or calcified filter cartridge; damage to the spa components or spa surface determined to have been caused by improper water maintenance or improper use of chemicals (refer to pages 32-34 of this owners manual); damage caused by allowing undissolved spa sanitizing chemicals to lie on the spa surface (no spa surface material can withstand this kind of abuse); and damage to the spa surface caused by leaving the spa uncovered while empty of water and in direct exposure to sunlight (this may cause solar heating distress in warm weather regions). These are considered abuses and may invalidate this warranty.

•Acts of nature, and damage caused by animals, rodents, and insects are considered abuses and are not covered under this warranty.

*Operation of the spa does not mean “use” of the spa. Adirondack & Champion Spa Company does not recommend using the spa if the water temperature is above or below the spa’s control panel temperature range.

DISCLAIMERS

Adirondack & Champion Spa Company shall not be liable for loss of use of the Adirondack & Champion spa or other incidental, consequential, special, indirect, or punitive costs, expenses or damages, which may include but are not limited to the removal of a permanent deck or other custom fixture or the necessity for crane removal. Any implied warranty shall have a duration equal to the duration of the applicable limited warranty stated above. Some states do not allow limitations on how long an implied warranty lasts. Under no circumstances shall Adirondack & Champion Spa Company or any of its representatives be held liable for injury to any person or damage to any property, however arising.

Some states do not allow the exclusion or limitation of incidental or consequential damages, so the above limitations may not apply to you.

33 Wade Road
Latham, NY 12110
1-800-444-9977
fax: 518-782-0632
www.SaratogaSpas.com

#25010-08