

ADIRONDACK SPAS®

OWNER'S MANUAL



THE ADIRONDACK EDITION



Model: _____

Serial Number: _____

Date Installed: _____

Dealer: _____

Address: _____

Telephone: _____

Note: The serial number/identification label is located within the equipment compartment and skimmer housing.

ADIRONDACK SPAS® SERIES			
MODEL	AVG. FILL	AVG. FILL WEIGHT	AVG. DRY WEIGHT
KEENE	150 gal. / 568 L	1638 lbs. / 743 kg.	385 lbs. / 175 kg.
CHAMPLAIN	240 gal. / 909 L	2504 lbs. / 1136 kg.	500 lbs. / 227 kg.
CAROGA	350 gal. / 1325 L	3500 lbs. / 1587 kg.	700 lbs. / 318 kg.
SARANAC	350 gal. / 1325 L	3622 lbs. / 1643 kg.	700 lbs. / 318 kg.
CASCADE	375 gal. / 1420 L	3911 lbs. / 1774 kg.	780 lbs. / 354 kg.
MARCY	375 gal. / 1420 L	3880 lbs. / 1760 kg.	750 lbs. / 340 kg.
GEORGIAN	525 gal. / 1988 L	5302 lbs. / 2405 kg.	920 lbs. / 417 kg.
REGENT LE	425 gal. / 1609 L	4297 lbs. / 1549 kg.	750 lbs. / 340 kg.

Thank you for your recent Adirondack Spas® purchase.

This owner's manual has been designed to acquaint you with your Saratoga Spa's operation and general maintenance. Keep this manual available for future reference.

If you have any questions regarding your Adirondack Spas®, contact your local dealer.

Thank you.

*Use the **LE INSTRUCTIONS** for the Regent LE

TABLE OF CONTENTS

ADIRONDACK SPAS® SAFETY INSTRUCTIONS

Avoiding The Risk to Children	2
Avoiding Risk of Electrical Shock	2
Avoiding Risk of Injury	3
Unclean Water	3
Avoiding Risk of Hyperthermia	4
Avoiding Risk of Skin Burns	4
Important Do's and Don'ts	5

ADIRONDACK SPAS® MODELS

Spa Specifications	6
------------------------------	---

ADIRONDACK SPAS® FEATURES AND OPERATIONS

Keene	7
Champlain	8
Caroga	9
Saranac	10
Cascade	11
Marcy	12
Georgian	13
Regent LE	14

INSTALLATION INSTRUCTIONS

Location Preparation	15
Outdoor Installation	15
Indoor Installation	15

ELECTRICAL REQUIREMENTS AND PRECAUTIONS

220 V Permanently Connected SE & LE Models	16
Electrical Installation Instructions	16
Electrical Spa Wiring Connection Instructions . .	17
110/220 Volt Convertible Models	18-19

INITIAL OPERATING INSTRUCTIONS

Start-up and Refill Procedures	20
SE Model Start-up Procedures	21
LE Model Start-up Procedures	22
Jet & Valve Specifications	23-24

EQUIPMENT MAINTENANCE

Light Bulb Replacement	25
----------------------------------	----

CONTROL PANEL FUNCTIONS-SE MODELS

Main Control Panel	25
Main Control Panel Navigation	25
Temperature Controls	25-26
Panel Functions	26
Hold, Lock/Unlock, 24 Hr Clock, Temp display, Flip Button	
Operating the Hydro Pumps	27
Jet Buttons	27
Clean Up Cycle	27
Light Control Button	27
Optional LED Lighting Systems	27
SE Heating Modes	28
SE Filter Cycle Modes	29-30
SE Reminder Messages	31
SE Diagnostic Messages	35

CONTROL PANEL FUNCTIONS-LE MODELS

Main Control Panel	32
Main Control Panel Buttons & Digital Display	32
Temperature Control	32
Operating the Hydro Pumps	33
Jet Buttons	33
Light Control Button	33
Optional LED Lighting System	33
LE Heating Modes	34
LE Filter Cycle Modes	34
Summer Set Mode	34
Freeze Protection	34
Automated Purge Cycle	34
LE Diagnostic Messages	36

SPA CARE & WATER MAINTENANCE

General Information	37-38
Filter Cartridge Removal and Cleaning	38
Care of Pillows	38-39
Care of Exterior	39
Care of Spa Cover	39-40
Winterizing Your Spa	40-41
Water Quality Maintenance	42-44

TROUBLESHOOTING

SE Operational Trouble Shooting Guide	45
LE Operational Trouble Shooting Guide	46-47
Control Panel Identification	47

SERVICE AND WARRANTY INFORMATION

Service and Warranty Information	48
Spa Care and Maintenance Record	49

ADIRONDACK SPAS® SAFETY INSTRUCTIONS

Read And Follow All Instructions

AVOIDING THE RISK TO CHILDREN

RISK OF CHILD DROWNING

Extreme caution must be exercised to prevent unauthorized access by children. To avoid accidents, ensure that children cannot use a spa unless they are supervised at all times.



- To reduce the risk of injury, do not permit children to use this spa unless they are closely supervised at all times.
- To reduce the risk of injury, lower water temperatures and control the time of hot water exposure for young children. Children are especially sensitive to hot water.



RISK OF ELECTROCUTION

- Connect only to a grounded source.
- Do not bury the power cord. A buried power cord may result in death, or serious personal injury due to electrocution if direct burial-type cable is not used, or if improper digging occurs.
- A ground terminal (pressure wire connector) is provided on the control box inside the unit to permit connection of a minimum No. 8 AWG (8.4 mm²) solid copper bonding conductor between this point and any metal equipment, metal water pipe, metal enclosures of electrical equipment, or conduit within five feet (1.5 m) of the unit as needed to comply with local requirements.
- To reduce the risk of electrocution, replace all damaged cords immediately. Failure to do so may result in death or serious personal injury due to electrocution.
- Do not connect any auxiliary components (for example, additional cable speakers, headphones or other audio components) to the audio system unless approved by Saratoga Spa® Company.
- Do not self-service audio components by opening or removing the cover as this may expose you to dangerous voltage or other risk of injury. Only qualified service personal should service your spa and it's components.
- Do not attach an external antenna to a spa audio system unless it is installed by a licensed electrician in accordance with Article 810 of the National Electric Code, ANSI/NFPA 70.



AVOIDING RISK OF ELECTRICAL SHOCK

- Do not permit any electrical appliance, such as a light, telephone, radio or television within 5 feet (1.5m) of a spa. These units DO NOT have an internal ground fault circuit interrupter. The installation of a ground fault circuit interrupter MUST be done by a qualified Electrician and must meet all local and national codes. Failure to maintain a safe distance may result in death, or serious personal injury due to electrocution, if the appliance should fall into the spa.

- Install at least 5 feet (1.5 m) from all metal surfaces. A spa may be installed within 5 feet of a metal surface if each metal surface is permanently connected by a minimum No. 8 AWG (8.4 mm²) solid copper conductor attached to the wire ground connector on the terminal box that is provided for this purpose if in accordance with National Electrical Code ANSI/NMFA70-1993.
- Install your spa in such a way that drainage is away from the electrical compartment and from all electrical components.



AVOIDING RISK OF INJURY

- To reduce the risk of injury to persons, DO NOT remove suction fittings located at the bottom footwell of the spa.
- The suction fittings in the spa are sized to match the specific water flow created by the pump. Never replace a suction fitting with one rated less than the flow rate marked on the original suction fitting. Never operate the spa if the suction fittings are broken or missing.
- There is a danger of slipping and falling. Remember that wet surfaces can be very slippery. Take care when entering or exiting the spa.
- People with infectious diseases should not use the spa.
- Keep any loose articles of clothing or hanging jewelry away from rotating jets or other moving components.
- The use of drugs, alcohol, or medication before or during spa use may lead to unconsciousness with the possibility of drowning.
- Persons using medications should consult a physician before using a spa; some medication may cause a user to become drowsy, while other medication may affect heart rate, blood pressure, and circulation.
- Persons taking medications which induce drowsiness, such as tranquilizers, antihistamines or anticoagulants should not use the spa.
- Water temperature in excess of 104°F (38°C) may be injurious to your health.
- Pregnant women should consult a physician before using spa.
- Persons suffering from obesity, or with a medical history of heart disease, low or high blood pressure, circulatory system problems, or diabetes should consult a physician before using spa.
- Persons using or having Implanted Pacemakers or Defibrillators should consult their physician prior to using a spa, as there are risks of electrocution.

UNCLEAN WATER

- Keep the water clean and sanitized with correct chemical care.
- Maintain water chemistry in accordance with chemical manufacturer's instructions.

Important:

- Turn the Jet Pump on high speed after adding ANY spa water chemicals into the spa. It will operate for a 15 minute cycle before shutting off automatically.
- Clean the filter cartridges monthly to remove debris and mineral buildup which may affect the performance of the jets, limit the flow, or cause a heater-limit issue



AVOIDING RISK OF HYPERTHERMIA

The causes, symptoms and effects of hyperthermia may be described as follows: Hyperthermia occurs when the internal temperature of the body reaches a level several degrees above the normal body temperature of 98.6°F/37°C. The symptoms of hyperthermia include an increase in the internal temperature of the body, dizziness, lethargy, drowsiness and fainting.

The effects of hyperthermia include:

1. Failure to perceive heat.
2. Failure to recognize the need to exit the spa or hot tub.
3. Unawareness of impending hazard.
4. Fetal damage in pregnant women.
5. Physical inability to exit the spa or hot tub.
6. Unconsciousness resulting in drowning.



The use of alcohol, drugs, or medication can greatly increase the risk of fatal hyperthermia in hot tubs and spas.



To Reduce The Risk of Injury:

- The water in the spa should never exceed 104°F (40°C). Water temperatures between 100°F (37.7°C) and 104°F (40°C) are considered safe for a healthy adult.
- Lower water temperatures are recommended for extended use (exceeding ten minutes) and for young children. Extended use can cause hyperthermia.
- Pregnant or possibly pregnant women should consult with their physician before entering a spa. Failure to do so may result in permanent injury to your baby.
- Do not use spa immediately following strenuous exercise.



AVOIDING RISK OF SKIN BURNS

- To reduce the risk of injury, before entering a spa the user should measure the water temperature with an accurate thermometer, since the tolerance of temperature-regulating devices may vary by as much as ±5°F.
- Test the water with your hand before entering the spa to be sure it's comfortable.

Important:

The following contains important spa information, and we strongly encourage you to read and apply them.

IMPORTANT DO'S & DON'TS



Do:

- Make sure you always lock the child resistant spa cover locks after using the spa for your children's safety. Every Adirondack Spas® model is equipped with a locking cover that meets the ASTM F1346-91 Standard for Safety Covers.
- Test the water temperature with your hand before allowing children to enter the spa to be sure that it's comfortable. Children are especially sensitive to hot water.
- Remind children that wet surfaces can be very slippery. Make sure that children are careful when entering or exiting the spa.
- Use and lock the vinyl cover when the spa is not in use, whether it is empty or full.
- Follow the Spa Care and Maintenance recommendations stated in this manual.
- Use only approved accessories and recommended spa chemicals and cleaners.
- Keep the spa cover locked when the spa is not in use.
- Check the equipment compartment monthly for any signs of tampering to the spa equipment.
- Follow the maintenance instructions of the spa found in this owner's manual.
- Be sure your spa is connected to the power supply correctly - use a licensed electrical contractor.
- Test the Ground Fault Circuit Interrupter(s) once a month.
- Place the spa on a level load bearing surface.



Don't:

- Allow children or pets to climb onto the spa cover.
- Allow children to have unsupervised access to the spa.
- Leave the Adirondack Spas® exposed to the sun without water or the cover in place. Exposure to direct sunlight can cause solar distress of the shell material and will void the warranty.
- Lift or drag the vinyl cover by using the cover lock straps; always lift or carry the cover by using the handles.
- Attempt to open the electrical control box. There are no user serviceable parts inside. Opening of the control box by the spa owner will void the warranty. If you have an operational problem, carefully go through the steps outlined in the Troubleshooting section. If you are not able to resolve the problem, contact your authorized Adirondack Spas® dealer. Many problems can easily be diagnosed over the telephone by an Authorized Service Technician.
- Block or sit on the filter compartment area.
- Allow excessive weight to be placed on the spa cover. Doing so could damage the spa cover and void any warranty.
- Use the spa with the equipment compartment door removed.
- Place electrical appliances within 5 feet (1.5m) of the spa.
- Block the equipment compartment vents. This could cause damage to the spa equipment and will void the warranty.

*** SAVE THESE INSTRUCTIONS ***

SPA SPECIFICATIONS

	Width	Length	Height	Average Fill	Dry Weight	Average Fill Weight	Seating Locations
Keene	57" 1.45 m	80" 2.03 m	29" 0.74 m	150 gal 568 L	385 lbs. 175 kg.	1,638 lbs. 743 kg.	2
Champlain	67" 1.70 m	80" 2.03 m	34" 0.86 m	240 gal 909 L	500 lbs. 227 kg.	2,504 lbs. 1136 kg.	3-4
Caroga	80" 2.03 m	84" 2.13 m	36" 0.91 m	350 gal 1,325 L	700 lbs. 318 kg.	3,500 lbs. 1,588 kg.	4-5
Saranac	80" 2.03 m	84" 2.13 m	36" 0.91 m	350 gal 1,325 L	700 lbs. 318 kg.	3,662 lbs. 1,643 kg.	4-5
Cascade	84" 2.13 m	84" 2.13 m	38" 0.97 m	375 gal 1,420 L	780 lbs. 354 kg.	3,911 lbs. 1774 kg.	5-6
Marcy	84" 2.13 m	84" 2.13 m	38" 0.97 m	375 gal 1,420 L	750 lbs. 340 kg.	3,880 lbs. 1,760 kg.	5-6
Georgian	89" 2.26 m	93" 2.36 m	40" 1.02 m	525 gal 1,988 L	920 lbs. 417 kg.	5,302 lbs. 2,405 kg.	6
Regent LE	84" 2.13 m	90" 2.29 m	38" 0.97 m	425 gal 1609 L	750 lbs. 340 kg.	4297 lbs. 1,949 kg.	5-6



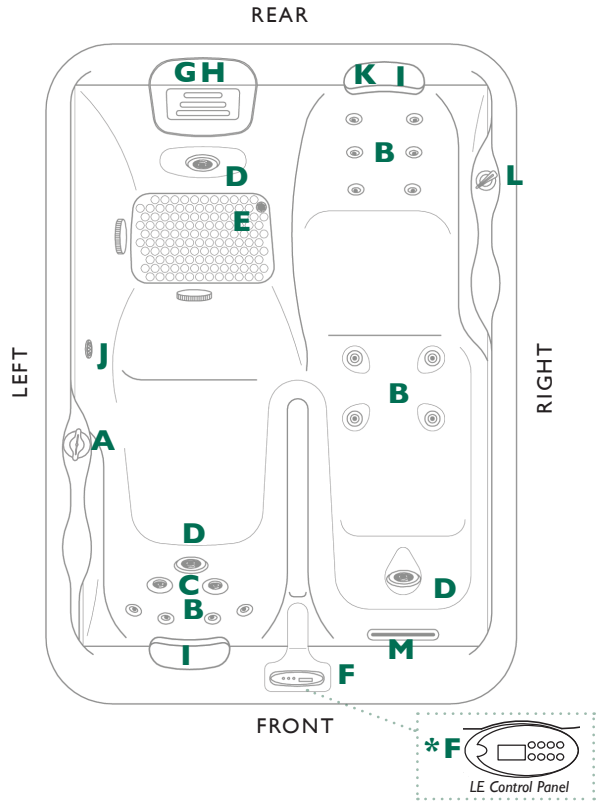
Due to the risk of property damage and injury, the manufacturer of the Adirondack Spas® strongly suggests a structural engineer or licensed contractor be consulted before the spa is placed on an elevated deck.

Note: The “Average Full” weight of the spa includes only the spa and the water inside the spa.

Spa Features

- A. Air Control Valve
- B. Cluster Jets
- C. Standard Jets
- D. Deluxe Jets
- E. Footwell Spa Drain
- F. Backlit Digital Control Panel
- G. Microban® Filtration
- H. Top-loading Skimmer
- I. Pillows
- J. Mood Light
- K. Power Massage®
- L. Versa-Flo™ Valve
- M. Waterfall

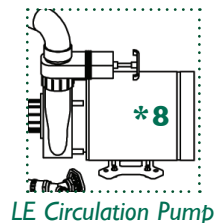
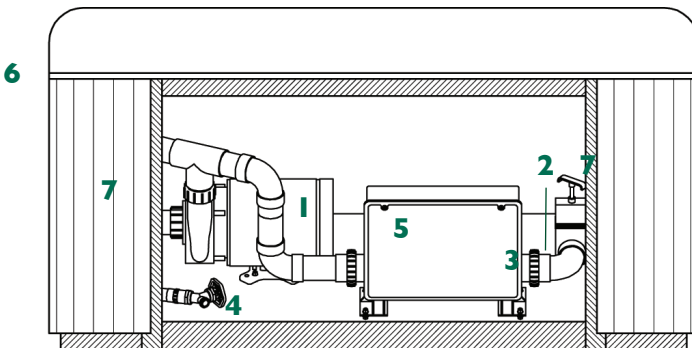
Note: LE Model adds a Vortex Circulation Jet & Deluxe Digital Control



Operations Center

1. (1) Two Speed Hydro Pump
2. 1 kW/4 kW Heater (SE only)
3. 110V/220V Power Pack (SE only)
4. Drain Valve
5. Bonding Terminal
6. Mood Light (located on left side of spa)
7. Shut-off Valves
8. *LE Model adds a Continuous Circulation Pump and upgraded pack to the equipment bay. This may create an optional equipment layout.

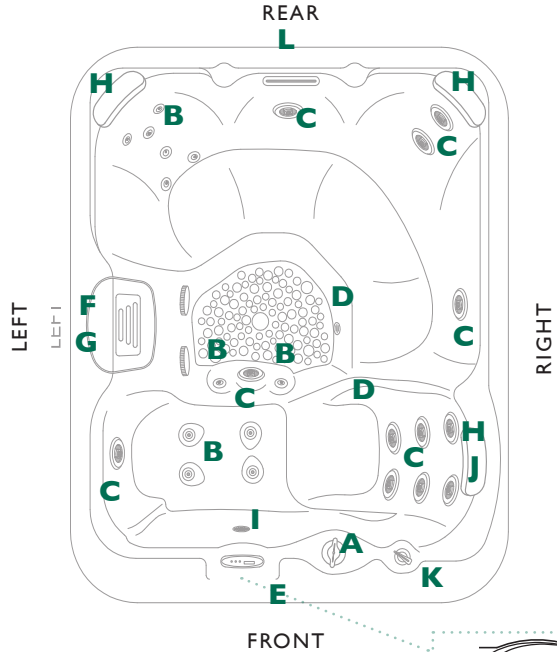
*LE Version 220V/4kW Heater only



CHAMPLAIN SE

Spa Features

- A. Air Control Valves
- B. Cluster Jets
- C. Deluxe Jets
- D. Footwell Spa Drain
- E. Backlit Digital Control Panel
- F. Microban® Filtration
- G. Top-loading Skimmer
- H. Pillows
- I. Mood Light
- J. Power Massage®
- K. Versa-Flo™ Valve
- L. Waterfall

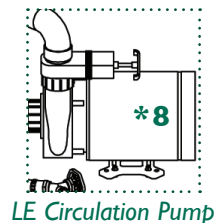
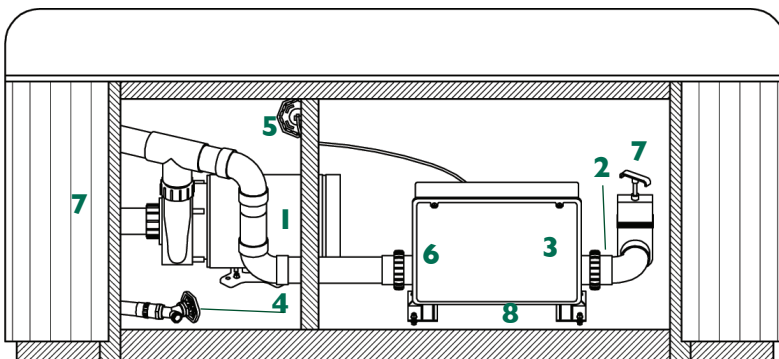


Note: LE Model adds a Vortex Circulation Jet & Deluxe Digital Control



Operations Center

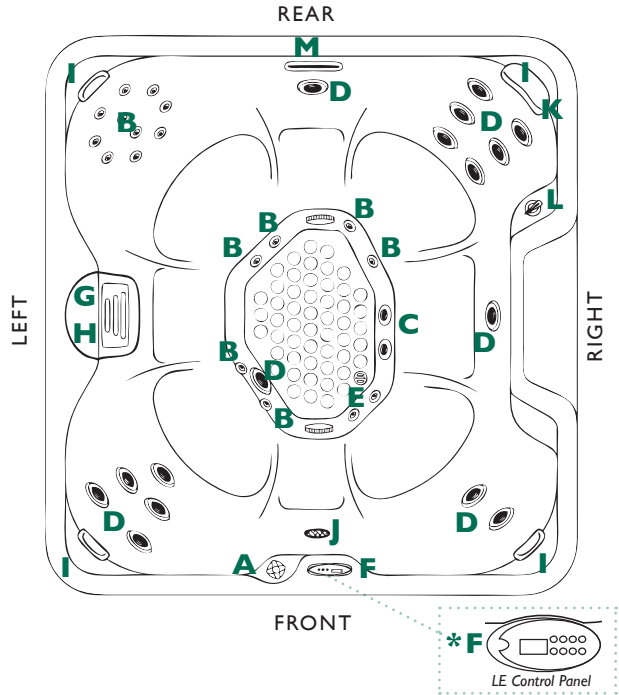
1. (1) Two Speed Hydro Pump
2. 4 kW Heater
3. 220V Power Pack
4. Drain Valve
5. Mood Light
6. Bonding Terminal
7. Shut-off Valves
- *8. Note: LE Model adds a Continuous Circulation Pump and upgraded pack to the equipment bay. This may create an optional equipment layout.



Spa Features

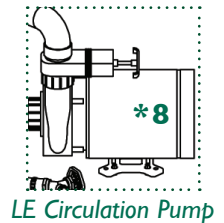
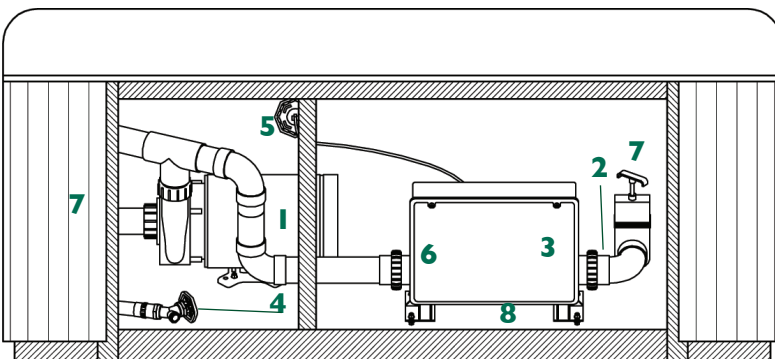
- A. Air Control Valves
- B. Cluster Jets
- C. Standard Jets
- D. Deluxe Jets
- E. Footwell Spa Drain
- F. Backlit Digital Control Panel
- G. Microban® Filtration
- H. Top-loading Skimmer
- I. Pillows
- J. Mood Light
- K. Power Massage®
- L. Versa-Flo™ Valve
- M. Waterfall

Note: LE Model adds a Vortex Circulation Jet & Deluxe Digital Control



Operations Center

1. (1) Two Speed Hydro Pump
2. 4 kW Heater
3. 220V Power Pack
4. Drain Valve
5. Mood Light
6. Bonding Terminal
7. Shut-off Valves
- *8. Note: LE Model adds a Continuous Circulation Pump and upgraded pack to the equipment bay. This may create an optional equipment layout.

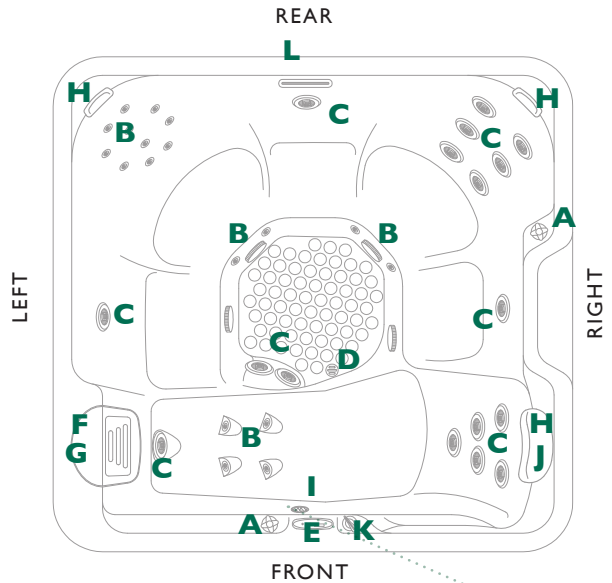


LE Circulation Pump

SARANAC SE

Spa Features

- A. Air Control Valves
- B. Cluster Jets
- C. Deluxe Jets
- D. Footwell Spa Drain
- E. Backlit Digital Control Panel
- F. Microban® Filtration
- G. Top-loading Skimmer
- H. Pillows
- I. Mood Light
- J. Power Massage®
- K. Versa-Flo™ Valve
- L. Waterfall

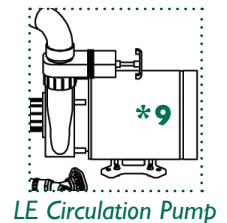
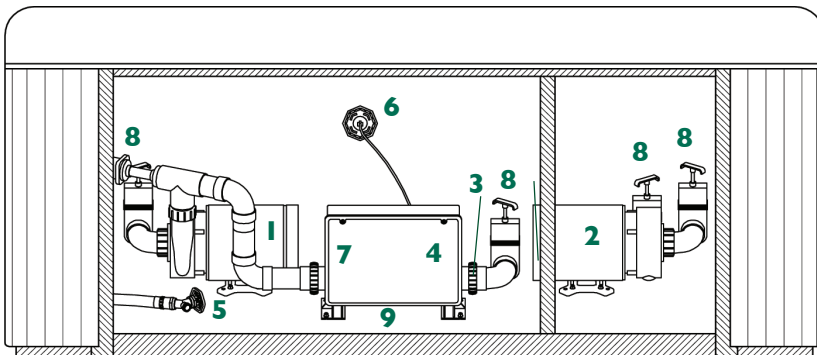


Note: LE Model adds a Vortex Circulation Jet & Deluxe Digital Control



Operations Center

1. (1) Two Speed Hydro Pump
2. (1) Single Speed Hydro Pump
3. 4 kW Heater
4. 220V Power Pack
5. Drain Valve
6. Mood Light
7. Bonding Terminal
8. Shut-off Valves
- *9. *Note: LE Model adds a Continuous Circulation Pump and upgraded pack to the equipment bay. This may create an optional equipment layout.*

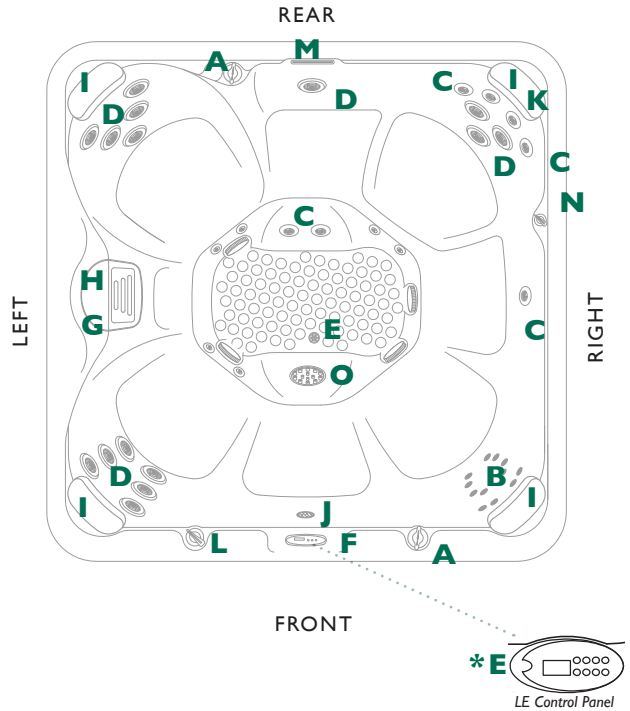


LE Circulation Pump

CASCADE SE

Spa Features

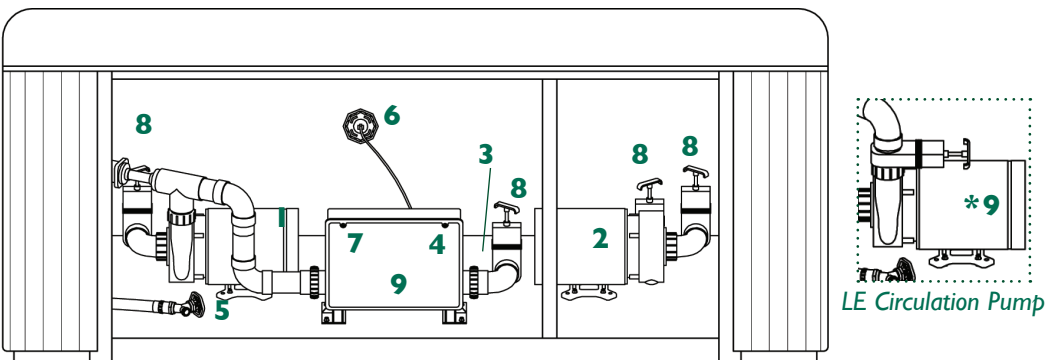
- A. Air Control Valves
- B. Cluster Jets
- C. Standard Jets
- D. Deluxe Jets
- E. Footwell Spa Drain
- F. Backlit Digital Control Panel
- G. Microban® Filtration
- H. Top-loading Skimmer
- I. Pillows
- J. Mood Light
- K. Power Massage®
- L. Versa-Flo™ Valve
- M. Waterfall
- N. Versa-Flo™ Micro Valve
- O. Master-Flo™ Massage



Note: LE Model adds a Vortex Circulation Jet & Deluxe Digital Control

Operations Center

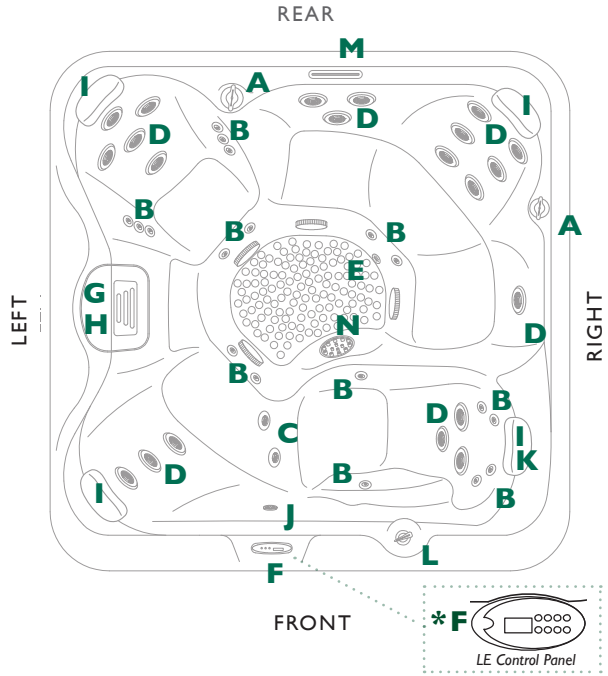
1. (1) Two Speed Hydro Pump
2. (1) Single Speed Hydro Pump
3. 4 kW Heater
4. 220V Power Pack
5. Drain Valve
6. Mood Light
7. Bonding Terminal
8. Shut-off Valves
- *9. *Note: LE Model adds a Continuous Circulation Pump and upgraded pack to the equipment bay. This may create an optional equipment layout.*



MARCY SE

Spa Features

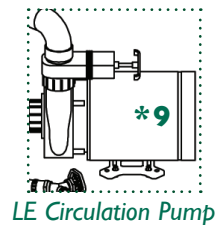
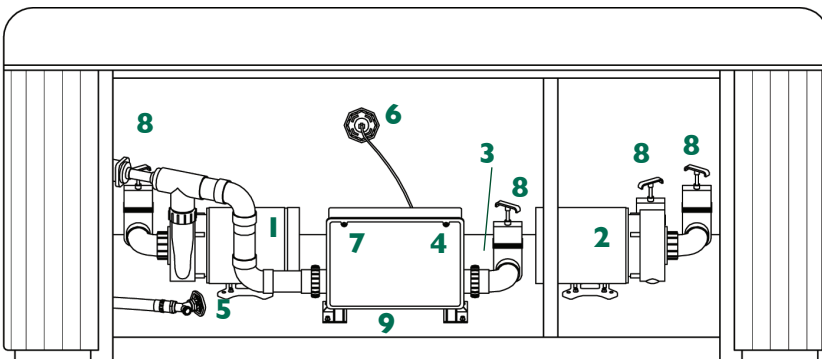
- A. Air Control Valves
- B. Cluster Jets
- C. Standard Jets
- D. Deluxe Jets
- E. Footwell Spa Drain
- F. Backlit Digital Control Panel
- G. Microban® Filtration
- H. Top-loading Skimmer
- I. Pillows
- J. Mood Light
- K. Power Massage®
- L. Versa-Flo™ Valve
- M. Waterfall
- N. Master-Flo™ Massage



Note: LE Model adds a Vortex Circulation Jet & Deluxe Digital Control

Operations Center

1. (1) Two Speed Hydro Pump
2. (1) Single Speed Hydro Pump
3. 4 kW Heater
4. 220V Power Pack
5. Drain Valve
6. Mood Light
7. Bonding Terminal
8. Shut-off Valves
- *9. *Note: LE Model adds a Continuous Circulation Pump and upgraded pack to the equipment bay. This may create an optional equipment layout.*

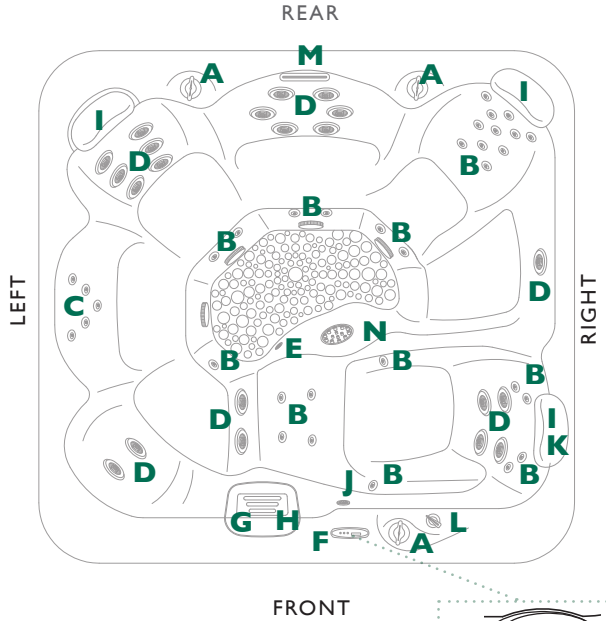


LE Circulation Pump

GEORGIAN SE

Spa Features

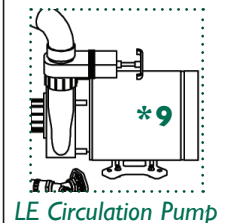
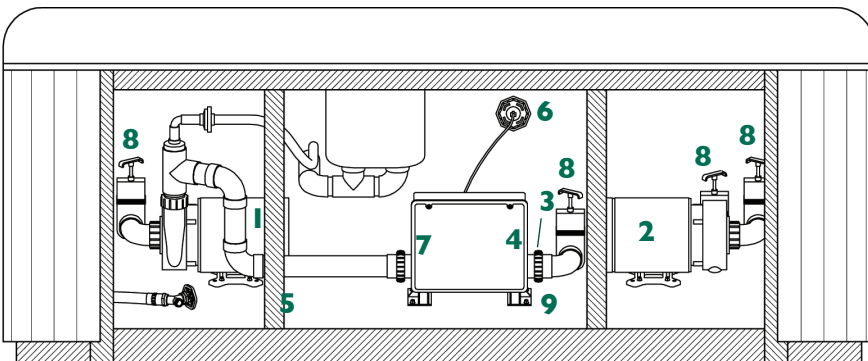
- A. Air Control Valves
- B. Cluster Jets
- C. Standard Jets
- D. Deluxe Jets
- E. Footwell Spa Drain
- F. Backlit Digital Control Panel
- G. Microban® Filtration
- H. Top-loading Skimmer
- I. Pillows
- J. Mood Light
- K. Power Massage®
- L. Versa-Flo™ Valve
- M. Waterfall
- N. Master-Flo™ Massage



Note: LE Model adds a Vortex Circulation Jet & Deluxe Digital Control

Operations Center

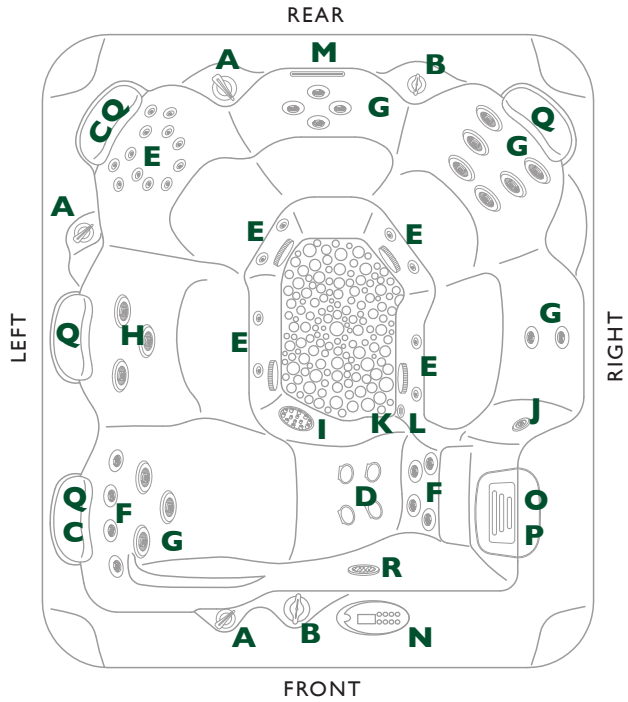
1. (1) Two Speed Hydro Pump
2. (1) Single Speed Hydro Pump
3. 4 kW Heater
4. 220V Power Pack
5. Drain Valve
6. Mood Light
7. Bonding Terminal
8. Shut-off Valves
- *9. Note: LE Model adds a Continuous Circulation Pump and upgraded pack to the equipment bay. This may create an optional equipment layout.



REGENT LE

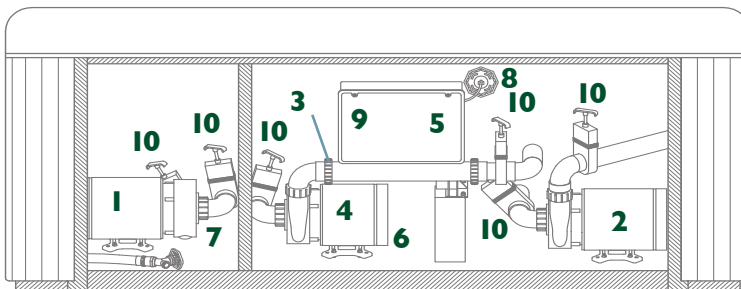
Spa Features

- A. Versa-Flo™ Valves/
Versa-Flo™ Micro Valves
- B. Air Valves
- C. Power Massage® Jets
- D. Power Stream® Jets
- E. Cluster Jets
- F. Standard Jets
- G. Deluxe Jets
- H. Storm Jets
- I. Master Massage
- J. Vortex Jet™ Circulation
- K. Whisper Clean® Jet
- L. Footwell Spa Drain
- M. Relax Stream™ Waterfall
- N. Backlit Digital Control Panel
- O. Microban® Filtration
- P. Toploading Skimmer
- Q. Pillows
- R. Mood Light



Operations Center

1. (1) Two Speed Hydro Pump
2. (1) Single Speed Hydro Pump
3. 4 kW Heater
4. Purity Circulation™ Pump
5. 220V Power Pack
6. Whisper Zone™ Ozonator- Located behind Purity Circulation™ Pump (Optional on Regent LE)
7. Drain Valve
8. Mood Light
9. Bonding Terminal
10. Shut- Off Valves



INSTALLATION INSTRUCTIONS

Location Preparation

Your Adirondack Spas® model is totally self-contained and portable. You can install the spa outside or inside. Preferable places are on a patio, deck or indoors. The spa should always be placed on a level, load bearing surface in accordance with your local building code requirements. Other items you need to consider are the following:

- Verify that the location chosen can support the weight of the spa, the water of the spa and its occupants.
- Always check the surface of the site to see if it is level before filling the spa with water.
- Allow access to the equipment compartment for routine maintenance.
- When positioning the spa, be sure to allow for drainage away from the electrical compartment.
- Leave easy access to the GFCI breaker.



Adirondack Spas® is manufactured to be a portable unit. Any permanent installation of this product is done at the risk of the owner. Permanent installation of this unit violates warranty coverage.

Outdoor Installation

Always keep in mind what type of climate you live in. In a climate with cold, snowy winters you may want to consider locating the spa close to the house for easy access. In climates where it is normally warm or hot year-round, it would be recommended to place the spa in a shaded or cool area. With deck installations it is recommended that a qualified building contractor or structural engineer review the weight the deck can support. The spa specification sheet (on page 6) can assist you with the weights and dimensions of your spa.

Indoor Installation

Special requirements are needed for indoor installation. Spas normally produce moisture. A ventilation system needs to be considered. Your spa area should contain moisture resistant wall/floor coverings and building materials to avoid damage from moisture over time. Proper drainage of the spa water also needs to be considered.



Your Adirondack Spas® model is equipped with air vents to allow for circulation of air throughout the equipment compartment. These vents are found on the face of the equipment compartment panel and under the corners of the spa at the equipment compartment end. Do not allow vents to be blocked as to prevent the circulation of air in the equipment compartment.

Your Adirondack Spas® dealer can help you with information such as local zoning regulations and building codes.

ELECTRICAL REQUIREMENTS AND PRECAUTIONS

Your Adirondack Spas® model has gone through numerous tests to verify that all of the spa functions operate. Beyond the tests, your Adirondack Spas® model has been designed to provide the maximum safety against electrical shock. Read and follow the electrical installation requirements and instructions completely. The next few pages will assist you in properly connecting the electrical input. Follow the electrical instructions for your specific spa model. Serious risks or injuries may occur if the spa is improperly wired.



220 Volt Permanently Connected SE and LE Models:

• *Keene** • *Champlain* • *Saranac* • *Caroga* • *Cascade* • *Marcy* • *Georgian* • *Regent LE*

*This model is convertible to 110V—See page 18 for installation instructions.

Adirondack Spas® must be wired in accordance with all applicable local electrical codes. Use NEC 250-122(table) and local codes for more information. All electrical work should be done by an experienced, licensed Electrician. We recommend the use of appropriate electrical conduit, fittings and wire for all circuits.

220 Volt installations require a 60Hz, single phase, three-wire electrical service plus ground (Line 1, Line 2, Neutral and Ground) and must be connected using a minimum supply conductor ampacity of 50 AMPs and a minimum circuit breaker size of 50 AMPs. Note: Use copper wire only (3 wire with ground; 8 gauge under 50', 6 gauge over 50')

220 Volt model spas must be connected to a “dedicated” 220 volt 50 Amp grounded circuit. The term “dedicated” means the electrical circuit is not being used for any other electrical items (lights, appliances, etc.). If the spa is connected to a non-dedicated circuit, overloading will occur and nuisance tripping of the GFCI breaker switch at the house breaker panel will occur.

A ground lug connector is provided on the exterior surface of the spa pack (operations center) inside the equipment compartment. This is to permit the connection of a bonding wire between this point and any metal equipment, enclosures, pipe or conduit within five feet (1.5m) of the spa. This bonding wire must be at least 8AWG solid copper wire.



Due to the risk of equipment damage or fire, use only approved pressure-type wire splicing lugs or connectors suitable for the size and type of wiring used.

Electrical Installation Instructions for 220 Volt Models

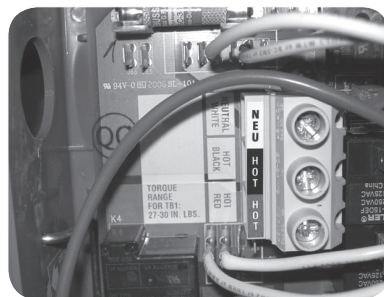
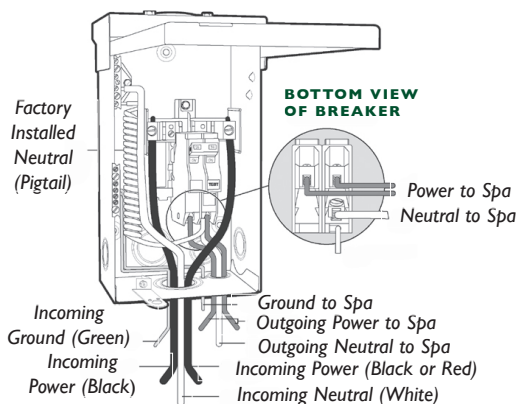
1. To connect the electrical service, first remove the screws from the equipment compartment door. Carefully remove the access panel.
2. Locate the spa power pack. Loosen the screws on the front of the control box. Remove the screws and the control box cover.
3. Input the electrical service from the GFCI breaker into the spa equipment compartment.



The GFCI breaker must be placed in sight of the spa, at a minimum distance of five feet (1.5m) away.

As of January 1, 1996 the National Electric Code (NEC) requires GFCI (Ground Fault Circuit Interrupter) on all spa installations.

4. Connect the supply conduit to the spa power pack.



Electrical Spa Wiring Connection Instructions



Due to the risk of damaging the PC Board, the equipment and the GFCI tripping, never, under any circumstances, should you connect power to the neutral terminal.

1. Identify the TB1 terminal block, located inside the spa power pack on the left side.
2. Connect the 8 AWG, WHITE wire, from the GFCI 50 amp breaker, to the WHITE "NEU" terminal on TB1.
3. Connect the 8 AWG, BLACK wire, from the GFCI 50 amp breaker, to the BLACK "HOT" terminal on TB1.
4. Connect the 8 AWG, RED wire, from the GFCI 50 amp breaker, to the RED "HOT" terminal on TB1.
5. Connect the 8 AWG, GREEN wire, from the GFCI 50 amp breaker, to the GREEN "GROUND" location on the "BONDING LUGS" terminal.
6. At least two additional lugs marked "BONDING LUGS" are provided on the external surface of one of the bonded components metal enclosures. To reduce the risk of electrical shock, connect the local common bonding grid in the area of the hot tub or spa to these terminals with an insulated or bare copper conductor not smaller than No. 6 AWG.
7. All field-installed metal components such as rail, ladders, drains or other similar hardware within 10 ft (3m) of the spa or hot tub shall be bonded to the equipment grounding bus with copper conductors not smaller than No. 6 AWG.
8. Replace the control box cover and securely tighten the fastening screws. Close and secure the equipment compartment panel.



Always use copper wire only (3 wire with ground; 8 gauge under 50ft, 6 gauge over 50ft) The electrical supply for this product must include a suitable rated switch or circuit breaker to open all ungrounded supply conductors to comply with Section 422.20 of the National Electrical Code ANSI/NFPA 70-1987. The disconnecting means must be readily accessible to the tub occupant but installed at least 5 feet (1.5m) from tub water



Please review the back of the spa pack cover, located in the spa equipment bay, for a complete spa equipment wiring diagram. Always use a licensed Electrician when wiring the spa.

110 / 220 VOLT CONVERTIBLE MODELS

- Keene (SE Model Only)

110 VOLT ELECTRICAL REQUIREMENTS:

The above model is manufactured with the Adirondack Spas® 110V/220V convertible spa pack. The unit is factory wired for 220 Volt applications with 4 kW heater operation. The model can be converted for 110 Volt applications and to run with a 1 kW heater operation.



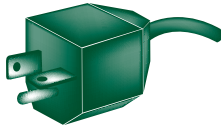
The 110 Volt model must be connected to a “dedicated” 110 Volt 20 Amp grounded circuit. The term “dedicated” means the electrical circuit is not being used for any other electrical items (lights, appliances, etc.). If the spa is connected to a non-dedicated circuit, overloading will occur and nuisance tripping of the GFCI breaker switch at the house breaker panel or GFCI cord will occur. Never connect the spa to an extension cord due to the potential for fire from wires overheating.

The 110 Volt models may be optionally equipped with a GFCI power cord (approximately 13 feet long). This model must be plugged into a grounding type, 110 Volt 20 Amp receptacle as shown below. No other electrical appliances or fixtures should be used on this circuit.

CORRECT

Dedicated 110V, 20A Receptacle

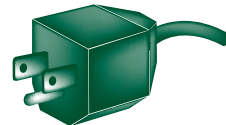
Data label amperage rating of 16 Amps must use this type of 20 Amp dedicated receptacle and plug.



INCORRECT

Dedicated 110V, 15A Receptacle

Do not use this type.



The use of any other receptacle or the connection of the plug to a 220 Volt service may cause the spa pack to operate improperly, create the potential for an electrical hazard and may void the spa warranty.

Adirondack Spas® models must be wired in accordance with all local electrical codes. All electrical work should be done by an experienced, licensed electrician familiar with spa installations.

Note: As of January 1, 1996 the National Electrical Code (NEC) requires a GFCI (Ground Fault Circuit Interrupter) on all spa installations.

INSTALLATION INSTRUCTIONS:

The following instructions are for the conversion of the Adirondack Spas® 110V/220V control pack from a 220 Volt application to a 110 Volt application.

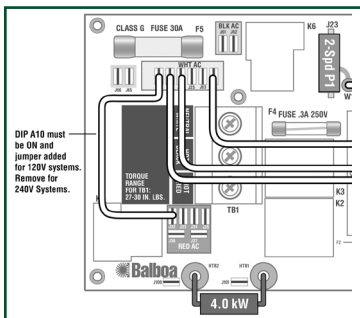


Due to the risk of equipment damage or fire, use only approved pressure-type wire splicing lugs or connectors suitable for the size and type of wiring used.

Before servicing the spa, make sure all power to the spa is disconnected. Follow these instructions for a successful electrical installation.

1. Unscrew the screws on the front access panel.
2. Carefully pull access panel toward you (away from spa) and pull upward. Set access panel aside.
3. Locate the spa power pack. Loosen the screws on the front of the control box. Remove the control box cover and the terminal block will be exposed.
4. Route the GFCI power cord through the vent hole in the base of the equipment compartment and out from under the corner of the spa.
Note: 110 Volt installations require a 60Hz, single phase, two-wire electrical service plus ground (Line 1, Neutral and Ground) and must be connected using a minimum supply conductor ampacity of 20 Amps and a minimum GFCI circuit breaker size of 20 Amps.
5. Input the GFCI power cord to the terminal block inside the spa pack.
6. Connect the 8 AWG WHITE wire, from the power cord, to the WHITE "NEU" terminal on TB1.
7. Connect the 8 AWG BLACK wire, from the power cord, to the BLACK "HOT" terminal on TB1.
8. Connect the 8 AWG GREEN wire, from the power cord, to the GREEN "GROUND" location on the "BONDING LUGS" terminal.
9. Connect jumper wire (jumper wire taped to the back of the spa pack) to J11 and J32. Red AC to White AC
10. Move dip switch #10 to the ON position. Special amperage rule "ON"
11. Replace the control box cover and securely tighten the fastening screws. Close and secure the equipment compartment panel.

Note: Please review the back of the spa power pack cover, in the equipment bay, for a complete spa wiring diagram.



SSID # 100 63 35	Switchbank A										VS50x Compatible	
		1	2	3	4	5	6	7	8	9	10	
	A1, Test Mode OFF A2, Mode changes allowed A3, Duplex Panel A4, Aux Freeze A5, 1-speed P1 w/Circ	A6, 60 Hz A7, J17/26, J, T, L A8, Degrees F A9, Circ Pump OFF A10, High Amp mode	J43 									

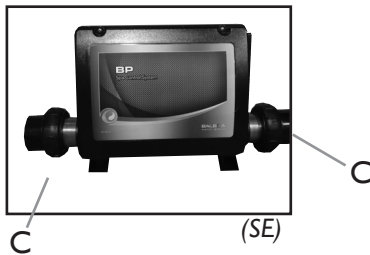
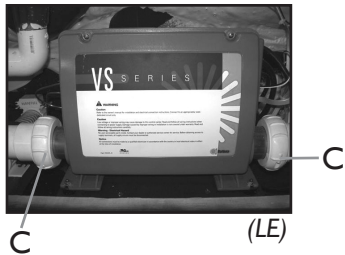
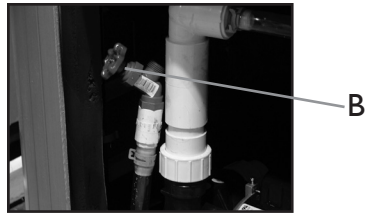
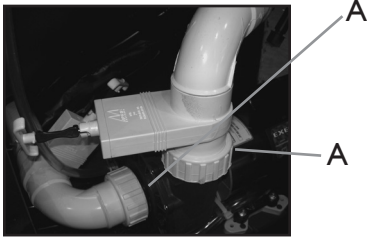
INITIAL OPERATING INSTRUCTIONS

Start-Up and Refill Procedures

Your Adirondack Spas® model has been tested at the manufacturing plant to ensure that all of the spa functions operate. During the test procedure, a small amount of water may have remained in the spa plumbing. Through the shipping process water may have spotted the spa shell. You may need to wipe down the shell with a soft cloth. Please read and follow the start-up instructions to ensure a successful start-up or refill.



- Inspect and clean spa shell of any debris
- Do not turn power on to spa unless filled with water to appropriate level (See Page 21-22). The spa pack must never be operated without water in the spa; serious damage to the heater and/or pump(s) may result.
- Do not fill spa with water before checking the items below (below items may become loose in transit):



A. Hand tighten unions at the pumps

B. Tighten drain valve

Note: The Drain Valve is left open for shipping and must be closed before filling spa.

C. Tighten unions on heater

- Do not fill spa with hot water. This may cause a false error code to the temperature sensor.

Start-up Procedures - SE Models

1. For a successful start-up, remove both filter cartridges, and fill the spa with water through the openings in the filter compartment.
 - a. Locate the filter compartment area.
 - b. Pull up and remove filter cover.
 - c. Remove each filter cartridge and screen adapter by turning counter clockwise.
 - d. After removing the filter cartridges and screen adapters, place a garden hose through one of the filter openings.
 - e. Turn water on and run water until it reaches a minimum level of 2" above the top of the filters.

Note: Besides filling the spa to 2" above the top of the filter, all models will need to be filled to 2" above the highest jet(s) in the spa. This is the minimum level allowed to run the spa's circulation system, and/or jet pump(s).
2. Check all plumbing (clamps, unions and drain valve) connections for leaks.
3. Re-install filter cartridges and screen adapters by turning them clockwise. Exit garden hose from the spa.
4. At this point turn power on to the spa control system by turning on the GFCI breaker. A startup sequence of numbers will appear on the display. If no button is pressed, LINK will appear after the startup sequence. Press any button to link the panel with the system. The spa will go into Priming Mode. During the Priming Mode the heater will be disabled. Priming Mode will end automatically in 4 minutes. (Pressing a TEMP button will exit Priming Mode manually). When the Priming Mode ends Pump 1 low speed will start, however the water temperature will not appear for a minute or so. Press the Jets Button(s) to turn the pumps on and off to verify that all air is purged from the plumbing, particularly the plumbing associated with the heater. (Pump 1 low speed). If the pump(s) have been primed continue to next step. If the pump(s) have not primed after 2 minutes, and the water is not flowing from the jets in the spa it may be necessary to manually prime the pump(s) by taking the following steps: First turn the power off at the GFCI breaker. Next loosen, but do not remove, the union nut on the top most area of the pump(s). Once all the air has escaped tighten the union nuts back down. After the pump(s) have been vented, turn on the spa control system by turning on the GFCI breaker. The spa will now go back into Priming Mode.
5. After you verify the pumps are primed, turn them off by pressing the Jet(s) button(s). The Priming Mode ends after 4 minutes, or Press TEMP to exit manually. The current factory default set temperature will display flashing 80°F (26°C) (The set temperature and actual water temperature are often different). While the numbers are flashing, Press TEMP again to change the Set Temperature. Press and hold for faster adjustment. After the new Set Temperature stops flashing, in about 10 seconds, the actual water temperature is displayed again and the new set temperature is programmed. The spa will now heat to the new set temperature as needed.
6. Re-install filter cover and allow spa to heat to desired set temperature; this normally takes 24 hours. 110 Volt models may take up to 48 hours to reach desired set temperature.
7. Water must be balanced and shocked upon start-up. See your dealer or pages 42-44 of this manual for details. This procedure must be repeated each time the spa is drained and refilled.



It is recommended to press and release the ground fault circuit interrupter (GFCI) RESET button monthly to verify GFCI is working properly.

Note: When there is a heat demand, a cool down period (30 seconds after heater turns off), or when the pump is running because of a filter cycle, the controller will turn the pump on low speed.

Start-up Procedures - LE Models

1. For a successful start-up, remove both filter cartridges, and fill the spa with water through the openings in the filter compartment.
 - a. Locate the filter compartment area.
 - b. Pull up and remove filter cover.
 - c. Remove each filter cartridge and screen adapter by turning counter clockwise.
 - d. After removing the filter cartridges and screen adapters, place a garden hose through one of the filter openings.
 - e. Turn water on and run water until it reaches a minimum level of 2" above the top of the filters.



Note: Besides filling the spa to 2" above the top of the filter, all models will need to be filled to 2" above the highest jet(s) in the spa. This is the minimum level allowed to run the spa's circulation system, and/or jet pump(s).

2. Check all plumbing (clamps, unions and drain valve) connections for leaks.
3. Re-install filter cartridges and screen adapters by turning them clockwise. Exit garden hose from the spa.
4. At this point, turn on the spa control system by turning on the GFCI breaker. When your spa is first actuated, it will go into **Priming Mode, indicated by "Pr"**. During this mode the heater is disabled to allow the priming process to be completed. As soon as "Pr" is indicated on the topside panel, push the **Jet(s)** button(s) until the pump(s) are running in high speed. If the pump(s) have been primed continue to step 5. If the pump(s) have not primed after 2 minutes, and water is not flowing from the jets in the spa it may be necessary to manually prime the pump(s) by taking the following steps: First turn the power off on the GFCI breaker. Next loosen the union nuts on the pump(s). Allow for a small amount of water and the trapped air to escape from the pump(s). Once all the air has escaped tighten the union nuts back down. After the pump(s) have been vented, turn on the spa control system by turning on the GFCI breaker. The spa will now go back into priming mode.
5. After the pumps are primed turn off by pressing the Jet(s) button(s). Next manually exit the priming mode by pressing either the **Warm** or **Cool** button. After you have manually exited the priming mode the display will show the set temperature, which defaults at 100° F/ 37°C, followed by two dashes (--). This will last for two minutes while the water temperature is determined. Push the **Warm** or **Cool** button to the desired setting.
6. Re-install filter cover and allow spa to heat to desired set temperature: this normally takes 24 hours.
7. Water must be balanced and shocked upon start-up. See your dealer or pages 42-44 of this manual for details. This procedure must be repeated each time the spa is drained and refilled.



It is recommended to press and release the ground fault circuit interrupter (GFCI) RESET button monthly to verify GFCI is working properly.

Important:

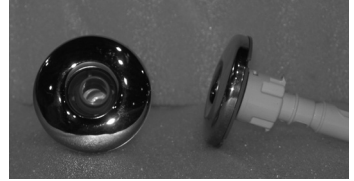
A pump should not be allowed to run without priming for more than 2 minutes. Under NO circumstances should a pump be allowed to run without priming beyond the end of the 4 minutes priming mode. Doing so may cause damage to the pump and cause the system to go into an overheat condition.

JET IDENTIFICATIONS

VERSA-FLO™ JET DESCRIPTIONS

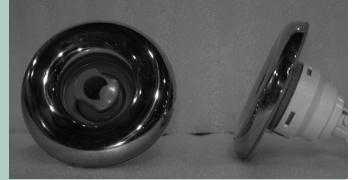
Cluster and Cluster Pulse Jet

The Cluster Jet provides a concentrated stream of water and air for precise pressure point areas, while the Pulse version provides a pulsating massage to the pressure point area



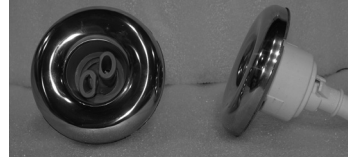
Mini Swirl Jet (Standard Jet)

The Mini Swirl Jet has an adjustable eyeball for directional or rotational use. To change from directional to rotational, with finger, simply adjust inner nozzle to the rotating position.



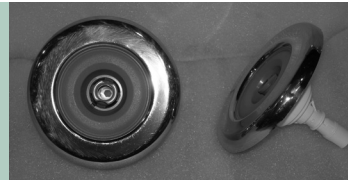
Mini Twin Roto Jet (Standard Jet)

This jet provides multiple adjustment for various rotational intensities. Adjust by spreading the nozzles apart.



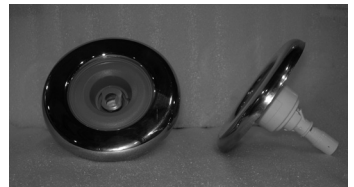
XtraFlo Mini Jet (Deluxe Jet)

This jet provides a balanced mix of air and water to give a soft, powerful, direct pressure massage to mid-size muscle groups. The design allows for higher GPM for performance and maximum relief.



XtraSwirl Mini Jet (Deluxe Jet)

A larger version of the Mini Swirl Jet, this jet gives a mid-size rotational massage and pulsating massage. To change from directional to rotational, with finger, simply adjust inner nozzle to the rotating position.



Master-Flo™ Massage Jet

Multiple pressure point flow, provides foot and large muscle relief. A larger version of the Veri-Flo Massage Jet, the Master-Flo™ Jet delivers multiple pressure point flow into several locations of muscle area and has an interchangeable design that gives relief to a variety of areas.



CFE™ JET DESCRIPTIONS

Power Massage Plus® and Power Massage®*

Patented jet provides dual water massage to your neck or back from under the built-in headrest. The jet is controlled by a small selector valve, giving the bather total control.

** Provides a single ribbon of water flow parallel to the body, available on the Adirondack Spas® Models*



Note: Not all jets are available in all models

ADIRONDACK SPAS® VALVES

The jets in the Adirondack Spas® Line have different ways to adjust the jet therapy systems. While having the Hydro Jet pump(s) on, the user has the ability to turn on and off each individual Versa-Flo™ Jet. The Versa-Flo™ Jet(s) can be turned on and off by turning the outer scallop on the face of the jet. In addition to having the ability to control each individual jet, the jets can be adjusted by zones, by moving the Versa-Flo™ Micro Valve. The Versa-Flo™ Air Control Valve controls the intensity of the jets by opening or restricting airflow.



Versa-Flo™ Valve



Versa-Flo™ Micro Valve



Versa-Flo™ Air Control Valve



*Shown as LE Model

EQUIPMENT MAINTENANCE

Replacing the Spa's Light Bulb

The spa's light bulb is located inside the equipment compartment. Remove the front access panel, by first removing the screws on the access panel. Then locate the light housing mounted to the spa shell. Grasp the bulb holder on the back of the light niche. Turn bulb holder counter clockwise to release it from the light niche. Pull bulb out of receptacle and replace it with a new light bulb, available at your Adirondack Spas® dealer. Re-attach the light bulb holder to the light niche by turning the light bulb holder clockwise.

CONTROL PANEL FUNCTIONS - SE MODELS

MAIN CONTROL PANEL

Adirondack Spas® models are equipped with a main control panel located on the top collar of the spa. The main control panel controls all of the spa functions.

The panel/topside will indicate the operations of the hydro jet pump(s), spa light, and water temperature and will display the spa's status regarding diagnostics, reminders and system functions.

MAIN CONTROL PANEL NAVIGATION

The main control panel includes navigation, setting functions and modes (time of day, temperature, filter cycles, light and preferences) activate or deactivate the hydro jet pump(s), sensor related messages, reminder messages and diagnostic messages as well as much more.

Important - Please Read

Navigating the entire menu can be accomplished with the TEMP and the LIGHT buttons. From this point on, the "WARM" and "COOL" will be referred to as TEMP button. TEMP buttons are "action" buttons (changing temperature, flashing screen for further prompts, changing preferences within a menu). The LIGHT button is a "choose" button (LED Lights on and off, enters menus when numbers are flashing, scrolls through the menu, makes a selection).

Waiting for 10 seconds will return the panel to normal operation and a display of spa status.

Dual Temperature Control

This SE system incorporates Dual Temperature Range settings with independent set temperatures. Your spa uses a HIGH RANGE (80°F – 104°F) or a LOW RANGE (55°F – 99°F) temperature adjustment. The HIGH RANGE would be primarily for a ready to use mode of your spa, while the LOW RANGE can be utilized for a vacation mode or during non-use periods.

HIGH RANGE is indicated on the display as RANGE Δ , the LOW RANGE ∇ .

Temperature Adjustment

Press TEMP buttons (marked "Warm" or "Cold") for desired set temperature. The numbers flash during the temperature adjustment. Press LIGHT to return to main menu; or, the main screen will return in 5 seconds. If the panel has only one TEMP button, the first TEMP button press causes the temperature to flash, the second TEMP press causes the temperature to change, then pressing LIGHT or waiting five seconds will return you to the main menu.

If a Temperature button is pressed and held when the temperature is flashing, the temperature will continue to change.

When the spa is first powered up the water temperature will not be displayed until the pump has been running for at least two minutes. The Default Water Temp from the factory will be 80°F in HIGH RANGE.

The temperature shown on the display without pressing the Warm or Cool button reflects the temperature of the water at that particular moment.

HOLD Mode

“Hold Mode” is used to disable the pumps during service functions like cleaning or replacing the filter. Press TEMP to desired hold temperature, Press LIGHT repeatedly to HOLD, then Press TEMP to count down. The clock will count down from 60 minutes.

LOCK and UNLOCK Mode

Locking the panel prevents the spa from being used; it also prevents unwanted temperature adjustments. All automatic functions are still active. Locking the temperature allows Jets and other feature to be used, but the Set Temperature and other programmed settings cannot be adjusted. Temperature Lock allows access to a reduced selection of menu items, which include Set Temperature, FLIP, LOCK, UTIL, INFO and FALT LOG.

To engage LOCK MODE, Press TEMP, Press LIGHT repeatedly until LOCK appears, then Press TEMP. To continue, Press LIGHT to toggle TEMP or PANL, Press TEMP to toggle ON or OFF, then Press LIGHT to exit menu.

Note: To Unlock (UNLK) the above features, Press TEMP, then LOCK appears on display, Press and hold TEMP while pressing LIGHT twice. UNLK screen appears, and then will exit to main screen in approximately 3 seconds.

SETTING 24 HOUR CLOCK

This action changes a 12 hour clock to a 24 hour clock.

Press TEMP to initiate a flashing display. When the temperature is flashing, press LIGHT repeatedly until PREF appears on the screen. When PREF appears, Press TEMP until F/C appears. When F/C appears press LIGHT. When "24 and 12" hour appear, you then will press TEMP to toggle between the two to select your choice.

Then Press LIGHT to:

- 1) enter choice.
- 2) again to exit PREF menu
- 3) again to exit UTL menu and return to main menu

TEMPERATURE F/C DISPLAY

Provides an option to choose between Fahrenheit and Celsius

To choose between Fahrenheit and Celsius, toggle between F and C in PREF menu. Press TEMP, then Press LIGHT repeatedly until PREF appears, Press TEMP to toggle F/C choice, Press LIGHT twice to exit to main menu.

FLIP Button

Pressing the panel button marked FLIP will invert the display on the panel, allowing you to read the display from inside or outside of the spa.

OPERATING THE HYDRO PUMP(S)/JET BUTTON(S)

Activate the hydro jet pump(s) for maximum hydrotherapy jet action. Press the “Jets1” button once for low speed, twice for high speed and a third time to turn the pump off. If your spa has two hydro jet pumps, “Jets1” will be a two speed pump, and “Jets2” will be a single speed pump. Pressing “Jets2” once will turn the pump on high speed, pressing “Jet2” button again will turn the pump off.

If either pump is left running, they will turn off automatically in 15 minutes if on High speed or 30 minutes if on Low Speed.

Also, note, if your spa is in READY MODE, pump 1 low speed may turn on for at least 1 minute every 30 minutes to detect the spa temperature (polling) and then to heat to the set temperature if needed. When low speed turns on automatically, it cannot be deactivated from the panel; however, the high speed may be started by pressing the “Jets1” button.



Clean-Up Cycle

When “Jets1” is manually turned on, a “Clean-Up Cycle” begins 30 minutes, on low speed, after “Jets1” is turned off. If your spa is equipped with an Ozone Generator, it will operate with “Jets1” on low speed.

Light Button - Saratoga Lighting System

The spa light is controlled using the LIGHT button. Press the LIGHT button once to turn on the multiple color options and locations, then again to turn the lighting off. The LIGHT button is also used in conjunction with temperature(s) to navigate the system menus.

Optional Splash™ Lighting

If your spa is equipped with Splash™ Lighting systems, see the operational features and directions located in the Splash™ box, or contact your dealer for instructions.

SE - HEATING MODES

There are two Heating Modes in the SE spa, described as READY and REST.

READY Mode will allow the spa to “Poll” (circulating the water every 30 minutes to sense the temperature) and determine a need for heat. The Panel will maintain a “current” temperature display.

-READY Mode maintains a constant water temperature. It will circulate water every 30 minutes, heat as needed in order to maintain a constant set water temperature using Pump 1 Low Speed and refresh the temperature display.

REST Mode will not “Poll” and will only heat during filter cycles. The panel will not display a current temperature until Pump 1 has circulated for a minute or two.

-REST Mode will only allow heating during programmed filter cycles. In REST Mode it won't circulate every 30 minutes to sense the water temperature, so the temperature display may not show a current temperature until the filtration pump has been running for a minute or two.

Choosing Between Ready and Rest Mode

Press the TEMP button, then the LIGHT button repeatedly until MODE appears. Pressing the TEMP button will toggle between SET READY and SET REST. Choose one, and then Press LIGHT to set and exit.

If the filtration pump has been off for an hour or more, and when any function button (except Light) is pressed on the panel, the pump used in conjunction with the heater will run so that the temperature can be sensed and displayed.

In REST Mode the screen will display [RUN][PUMP][FOR][TEMP] if the filtration pump has not run for over 1 hour.

Note: The Filtration pump noted in the SE Heating Modes section refers to Pump 1 on the SE Systems, operating on low speed.

SE - FILTER CYCLE MODES

Filter Cycles are set using a start time and duration. Start Time is indicated by an “A” for AM and a “P” for PM in the bottom right corner of the display. The Duration setting has no “A” or “P” indicator.

The Cycles and the Duration settings can be adjusted in 15-minute increments. The panel calculates the end time and displays it automatically. You have two Cycles you can adjust. The spas default is one cycle per day. If you choose to have only one cycle the duration should be in the 4 to 6 hour range as a minimum.

Based on your spa use, you may need to operate two cycles per day. The more the spa is used the longer the filter cycles should operate. Start with two, 2-Hour filter cycles and adjust up or down as you observe the use pattern of the spa. The cycles are identified by “FILTR1” and “FILTR2”.

Duration and Start Times of Filter Cycles

To customize your filter cycles and times, start by Pressing TEMP.

- While the temperature is still flashing Press LIGHT repeatedly until FLTR1 appears flashing. (If you press the LIGHT button one more time it will take you to FLTR2)
- Press the TEMP button to advance to the beginning of the time setting process for filtration.
- Pressing TEMP will advance to first screen to change time for F1 and “BEGN” (Begin) will appear on screen.
- Press TEMP, and hour will flash; Pressing TEMP will change the hour.
- Press LIGHT to advance to minutes, and then Press TEMP to change minutes. Minutes advance in 15 minute intervals.
- Press LIGHT to set Run Hours (the actual start time of the cycle)
- Press TEMP to begin the hour change, each TEMP press will move time of day one hour.
- Press LIGHT to advance the minutes in 15 minute increments.
- Press LIGHT when finished.

The read out scrolls the information that is now programmed; F1 ENDS 12:45A.

Repeat this process to create the FLTR2 cycle if desired.

Press TEMP to exit to main screen.

Continuous Filtration Non-Circulation Pump

To set a continuous filtration, set Filter 1 to begin at a specified time as listed above. Because you will be running the Pump 1 low speed continuously, any start time will be fine, as the start and end time will be the same. Remember that your cost of operation will increase by operating Pump 1 on low speed as continuous filtration.

{Example: Start time: 8am - End time: 8am = 24-Hour Circulation}

Then set the duration as listed above, advancing the duration hours to 24. The FLTR2 cycle start time, 12 hours after the FLTR1 start time will only engage the Purge Cycle. The end time for FLTR2 in this setting will be unavailable with 24-Hour duration.

* When Pump 1 low is operating and an ozone generator is installed, they will operate together.

*Default factory setting is one filter cycle set to run in the evening (assuming the time of day is properly set). The second filter cycle can be enabled as needed.

*At the start of each filter cycle Pump 2 (if one is present) will run briefly to purge its plumbing to maintain water quality.

SE – REMINDER MESSAGES

Reminder Messages help in the general maintenance of the spa. You can suppress these messages through the PREF Menu. Press TEMP to initiate a flashing display, then Press LIGHT repeatedly until PREF appears, then Press LIGHT until “Reminders” scrolls across screen, then Press TEMP for options, TEMP toggles between “NO” and “YES”, then Press LIGHT to exit the PREF menu, Press LIGHT 3 times to return to MAIN menu. To reset a displayed reminder message, Press a TEMP button.

The Reminder options are as follows;

- Check PH displays CHEK PH every 7 days
- Check Chemistry displays CHEK CHEM every 7 days
- Clean Filter displays CLN FLTR every 30 days
- Test GFCI displays TEST GFCI every 30 days
- Change Water displays CHNG WATR every 90 days
- Clean Cover displays CLN COVR every 180 days
- Treat Wood displays TRT WOOD every 180 days (Saratoga Spas® uses a thermoplastic, low maintenance cabinet, not wood)
- Change Filter displays CHNG FLTR every 365 days
- Change Cartridge displays CHNG CART as needed. (This refers to a Mineral Cartridge, see Dealer for details)

Note: These are guidelines and reminders and do not override the user’s responsibility to maintain their spa. The more the spa is used, the more care the water will require. The harsher the climate you live in, the more care the exterior features of the spa will need.

Not all Reminders will be relevant to your spa, ask your Dealer regarding details that may pertain to your spa.

CONTROL PANEL FUNCTIONS - LE MODELS

MAIN CONTROL PANEL

The panel/topside will indicate the operations of the hydro jet pump(s), spa light, water temperature and will display diagnostic symbols.

Adirondack Spas® models are equipped with a main control panel located on the top collar of the spa. The main control panel controls all of the spa functions. It displays the spa's status and any diagnostic messages. The main control panel and digital display are illuminated by a light from the inside of the panel.

MAIN CONTROL PANEL BUTTONS AND DIGITAL DISPLAY

The main control panel has buttons which the spa user presses to set the temperature, vary the intensity of the light and activate or deactivate the hydro jet pump(s). The control panel also has a digital display that displays the spa diagnostics (i.e.: temperature setting, jet functions or error messages).

Temperature Control

The set temperature range is from 80°F (26°C) to 104°F (40°C). The temperature of the spa water will automatically be 100°F (37°C) the first time that power is applied. This is the default temperature setting programmed at the factory.

To display the set temperature of the spa, press the **Warm** or **Cool** button once.

To raise the set temperature of the spa, press the **Warm** button a second time. Each press of the **Warm** button will continue to raise the set temperature.

To lower the set temperature of the spa, press the **Cool** button a second time. Each press of the **Cool** button will continue to the lower set temperature.

Note: When first powered up the water temperature will not be displayed until the pump has been running for at least two minutes.

Note: The temperature shown on the display without pressing the Warm or Cool button reflects the temperature of the water at that particular moment.

OPERATING THE HYDRO PUMPS ON LE MODELS

Jets 1 Button

Activates the hydro jet pump #1 for maximum hydrotherapy jet action. Press the **Jets 1** button once for low speed, again for high speed and again to turn the pump off. When the pump is activated the indicator above the **Jets 1** button will light up. The pump will turn off automatically after 15 minutes on high speed and 4 hours on low speed.

Jets 2 Button

Activates the hydro jet pump #2 for maximum hydrotherapy jet action. Press the **Jets 2** button once for high speed and again to turn the pump off. When the pump is activated the indicator above the **Jets 2** button will light up. The pump will turn off automatically after 15 minutes on high speed.

Note: The spa light will begin flashing 15 seconds before the pumps shut off as a reminder, that the pump(s) cycle is about to end.

Note: The Keene, Champlain and Caroga models have only one jet pump button on the panel.

Note: Adirondack Spas® are designed for maximum heat retention. The unit is not designed to cool water. If the set or desired temperature is below that of the ambient temperature, the unit will not be able to achieve this demand. Depending on the desired temperature, it may be necessary to add cool water to the unit to lower your spa water temperature.



Light Button - Saratoga Lighting System

The Saratoga Lighting System is designed to give the user multiple color options and styles. To turn on the system, press the light button. The spa will illuminate with one of it's many combinations and locations. As you continue to press the light button, different color combinations and illuminating styles, such as solid, fading or pulsating color will function. You must press the light button through each function before it reaches the off mode. If the light is left on it will automatically be turned off by the control system after four hours of continuous operation.

Optional Splash™ Lighting

The Splash™ Lighting is used in conjunction with the Saratoga Lighting system and increases the illumination location. See the operational features and directions located in Splash™ box, or contact your dealer for instructions.

LE - HEATING MODES

Mode is changed by pressing the **Warm** or **Cool** button, then pressing the **Mode** button. The heating modes "do not" control the circulation pump. It only controls the way the spas will heat and during what time of day.

Standard Mode is programmed to maintain the desired temperature continuously, thermostatically on a daily basis. Note that the last measured spa temperature displayed is current only when the pump has been running for at least 2 minutes. "Std" will be displayed momentarily when you switch into Standard Mode.

Economy Mode heats the spa to the set temperature only during your chosen economy mode cycles, as needed. "Ecn" will display solid when temperature is not current, and will alternate with temperature when temperature is current. You can choose 2, 4, 6 or 8 hours of heat option during a 12 hour time frame. If you choose 2 hours on then the heat option will be off for 10 hours. Then on for 2, then off for 10, and so on. This is not a filtration cycle but a time frame you choose to allow the spa to heat if needed.

Sleep Mode heats the spa within 20°F/10°C of the set temperature only during filter cycles. "SLP" will display solid when temperature is not current, and will alternate with temperature when temperature is current. This cycle is designed when the spa will not be used for long periods of time. Water sanitizing and balance will still be necessary even if the spa is not being used.

Note: The last measured spa temperature displayed is current only when the pump has been running for at least 2 minutes.

LE - FILTER CYCLE MODES

Adirondack Spas® has designed its continuous circulation pump system to operate without manual programming. The continuous circulation pump operates unless interrupted by a system diagnostic or automated program, or by a power failure. With the continuous circulation system, manual filter cycles do not apply. The spa is designed to continuously circulate the water.

Freeze Protection

If the temperature sensors detect a drop to below 44°F/6.7°C within the heater, the pumps will automatically activate to provide freeze protection. The equipment stays on until 4 minutes after the sensors detect that the spa temperature has risen to 45°F/7.2°C or higher.

Summer Set Mode

Your spa is equipped with this feature to prevent heat build up. Summer Set Mode is activated when the water temperature exceeds the set temperature by 3°F. When the Summer Set Mode is activated it will suspend the filter cycle for 30 minutes, then Pump 1 will run on low speed for 2 minutes. It will continue this way until the water temperature returns to the set temperature.

Automated Purge Cycle

Every 12 hours the Jet Pump(s) will engage. Pump 1 on low speed, and on selected models Pumps 2 and Pumps 3 on high speed for a duration of 5 minutes. This process purges the jet plumbing lines twice daily, making sure water in the plumbing lines is moved out into the spas main body of water.

SE - DIAGNOSTIC MESSAGES

Scroll Message	Meaning	Action Required
NO COMM	The panel is not receiving communication from the system	Call for Service
---*F ---*C	Temperature unknown	After pump has run for 1 minute, the temperature will be displayed
HTR TOO HOT (OHH)	One of the water temp sensors has detected 118°F (47.8°C) in the heater and the spa is shut down.	DO NOT ENTER THE WATER. Remove the spa cover and allow water to cool. Once the heater has cooled, reset by pushing any button. If spa does not reset, shut off the power to the spa and call your dealer or service organization.
WATR TOO HOT (OHS)	One of the water temp sensors has detected spa water 110°F(43.3°C) and spa functions are disabled.	DO NOT ENTER THE WATER. Remove the spa cover and allow water to cool. At 107°F/42°C, the spa should automatically reset. If spa does not reset, shut off the power to the spa and call your dealer or service organization.
42°F TOO COLD	A potential freeze condition has been detected or Aux Freeze Switch has closed	All pumps are activated automatically & stay on at least 4 minutes after potential freeze condition has ended or aux freeze switch opens. <i>This is an operational message, not an error indication.</i>
102F SNSR BALANCE	Temperature sensors MAY be out of sync by 2°F or 3°F	Call for Service
SNSR SYNC	Temperature sensors ARE out of sync. The Sensor Balance is Poor. Fault has been established for at least 1 hour.	Call for Service
SNSR A	A temperature sensor or sensor circuit has failed	Call for Service
SNSR B	A temperature sensor or sensor circuit has failed	Call for Service
HTR FLOW LOSS (HFL)	There may not be enough water flow through the heater to carry the heat away from the heating element. Heater start-up will begin again after 1 minute.	See FLOW RELATED CHECKS below
HTR FLOW FAIL (LF)	There IS NOT enough water flow through the heater to carry the heat away from the heating element and the heater has been disabled. After the problem is resolved, you must press any button to reset and begin heater start up.	See FLOW RELATED CHECKS below
HTR MAY BE DRY (dr)---WAIT	POSSIBLE dry heater, or not enough water in the heater to start it. The spa is shut down 15 min. Press any button to reset the heater start-up.	See FLOW RELATED CHECKS below
HTR DRY	There IS NOT enough water in the heater to start it. The spa is shut down. After the problem has been resolved, you must press any button to reset and restart heater start-up.	See FLOW RELATED CHECKS below
102T	Control System is in Test Mode	Call for Service
PRES BTTN TO RSET	Some errors may require power to be removed and restored. A reset message may appear with other messages	Press button to reset
HOT FALT	A pump appears to be stuck ON, a serious condition that COULD result in overheated spa water	Call for Service
Please contact your Dealer for the following messages: MEM FAIL, MEM RSET, CNFG FAIL, STUK PUMP		

Note: Start-up Procedures –SE Models page 21 in current Adirondack OM

FLOW RELATED CHECKS -

Check for low water level, suction flow restrictions, ensure filters are clean, closed valves, trapped air, too many closed jets and pump prime.

On some systems even when the spa is shut down, some equipment may occasionally turn on to continue monitoring temperature or if freeze protection is needed.

All messages may not appear on your panel display.

LE - DIAGNOSTIC MESSAGES

Scroll Message	Meaning	Action Required
	No message on display. Power has been cut off to the spa.	The control panel will be disabled until power returns. Spa settings will be preserved until next power up.
--	Temperature unknown.	After the pump has been running for 2 minutes, the temperature will be displayed.
OHH	"Overheat." The spa has shut down. One of the sensors has detected 118°F/48°C at the heater.	DO NOT ENTER THE WATER. Remove the spa cover and allow water to cool. Once the heater has cooled, reset by pushing any button. If spa does not reset, shut off the power to the spa and call your dealer or service organization.
OHS	"Overheat." The spa has shut down. One of the sensors has detected that the spa water is 110°F/43°C.	DO NOT ENTER THE WATER. Remove the spa cover and allow water to cool. At 107°F/42°C, the spa should automatically reset. If spa does not reset, shut off the power to the spa and call your dealer or service organization.
ICE	"Ice." Potential freeze condition detected.	No action required. The pump and blower will automatically activate regardless of spa status.
SnA	Spa is shut down. The sensor that is plugged into the Sensor "A" jack is not working.	If the problem persists, contact your dealer or service organization. (May appear temporarily in an overheat situation and disappear when the heater cools.)
Snb	Spa is shut down. The sensor that is plugged into the Sensor "B" jack is not working.	If the problem persists, contact your dealer or service organization. (May appear temporarily in an overheat situation and disappear when the heater cools.)
SnS	Sensors are out of balance. If alternating with spa temperature, it may just be a temporary condition. If flashing by itself, spa is shut down.	If the problem persists, contact your dealer or service organization.
HFL	A significant difference between temperature sensors has been detected. This could indicate a flow problem.	Check water level in spa. Refill if necessary. If the water level is okay, make sure the pumps have been primed. If problem persists, contact your dealer or service organization.
LF	Persistent low flow problems. (Displays on the fifth occurrence of "HFL" message within 24 hours.) Heater is shut down, but other spa functions continue to run normally.	Follow action required for "HFL" message. Heating capability of the spa will not reset automatically; you may press any button to reset.
dr	Possible inadequate water level, poor flow, or air bubbles are detected in the heater. Spa is shut down for 15 minutes.	Check water level in spa. Refill if necessary. If water level is okay, make sure the pumps have been primed. Press any button to reset, or this message will automatically reset within 15 minutes. If problem persists, contact your dealer or service organization.
drY	Inadequate water level detected in heater. (Displays on third occurrence of "dr" message.) Spa is shut down.	Follow action required for "dr" message. Spa will not automatically reset. Press any button to reset.

Note: "Pr" reading see page 22 for LE Models.

FLOW RELATED CHECKS -

Check for low water level, suction flow restrictions, ensure filters are clean, closed valves, trapped air, too many closed jets and pump prime.

On some systems even when the spa is shut down, some equipment may occasionally turn on to continue monitoring temperature or if freeze protection is needed.

All messages may not appear on your panel display.

SPA CARE AND WATER MAINTENANCE

GENERAL INFORMATION

Adirondack Spas® are manufactured from the highest quality, most durable materials available today. We recommend that a spa maintenance program be followed. The care you take will ultimately determine how long your spa or its individual components will last. This section will help you maintain your investment.

Replacing The Water

Proper spa maintenance (regular draining and replacing of spa water according to these directions along with filter cleaning), proper spa water treatment (water balance and maintaining correct sanitizer levels), and proper installation (adequate ventilation) are the keys to ensuring sanitary, healthy spa water.

It is recommended that you completely drain your spa every 45 to 90 days. Normally, after a period of time the water will become sudsy and harder to maintain and should be replaced. The IPSE WRI, Water Replacement Interval Formula is as follows:

$$\text{WRI} = \frac{.33 \times \text{Spa Volume in US Gallons}}{\text{Average Bathers per Day}}$$

Note: Heavy usage may require more frequent draining.

To Drain Your Spa:

1. Disconnect the spa from the power supply by tripping the GFCI breaker located in the house breaker panel or at the GFCI disconnect breaker at the spa.
2. Take off the equipment access panel by first removing the screws and then pulling out the access panel. Locate main drain valve and attach the inlet of a garden hose to the drain valve. Route garden hose to an appropriate draining area away from the spa to avoid flooding of the surroundings around the spa.

Note: Spa water with a high sanitizer level may harm plants and grass.

3. Open the drain valve by turning the knob. The spa will drain by gravitational flow.
4. Adirondack Spas® will drain to the lower suction fittings in the footwell of the spa. It may be necessary to vacuum or sponge up a small amount of the remaining water in the spa.
5. When empty, inspect the spa shell and clean as required.
6. Close the drain valve and remove garden hose.
7. Replace or close the equipment access door and replace screws.
8. Refill the spa through the filter compartment BEFORE restoring power.

Important:

Always clean the filter cartridges each time the spa is drained for cleaning.

Filter System

Adirondack Spas® are equipped with two standard filter cartridges. As with any filtering system, the filter cartridges may become clogged with particles, body oils or calcification resulting in poor water quality and reduced water flow. It is important to maintain a clean, unobstructed filtering system. A reduced water flow may cause a failure of the filter cycles to operate due to the pump shutting down. If the circulation of water stops during sub-freezing temperatures and goes unnoticed, the spa water may freeze, which is not covered under manufacturer's warranties.

Important:

The frequency and duration of use, and the number of occupants, all contribute to determining the appropriate time between filter cleanings. More use means that more frequent filter cleanings are required. Failure to maintain the cartridges in a clean, unobstructed manner will result in reduced water flow. Any damage to the spa due to freezing or caused as a result of poor maintenance will not be covered by your spa warranty.

FILTER CARTRIDGE REMOVAL AND CLEANING

1. Disconnect the spa from the power supply by tripping the GFCI breaker at the spa.
2. Remove and carefully set aside the filter compartment cover.
3. Remove any floating items from within the filter compartment.
4. Grasp the handle of the filter cartridge and turn the cartridge clockwise until it is free from the base retainer. Leave screen adapter in place.
5. Place the cartridge on a clean surface and spray with a garden hose. It will be necessary to rotate the cartridge(s) to ensure all the filter pleats have been cleaned.
6. Continue cleaning by spraying down throughout the center of the cartridge (inside out).
7. For a complete and more thorough cleaning it is recommended to soak cartridges in a filter cleaning solution. Follow directions on the filter cleaner label.
8. Before inserting cartridges, do a final inspection of the cartridges.
9. To reinstall the filter cartridges, reverse the order in which the cartridges were removed.

Important:

Do not turn power on or use the spa with the filter cartridges or screen adapters removed.

Note: Spa cartridges are a disposable item and should be replaced each year, at a minimum.

CARE OF THE SPA PILLOWS

The spa pillows used on Adirondack Spas® models will provide years of comfort if treated with care. To extend their life the spa pillows should be removed and cleaned. Wash with a mild soap and water solution. ALWAYS rinse off the spa pillows thoroughly to remove any soap residue. If the spa is not going to be used for a long period of time the spa pillows should be removed until the next spa use.

To remove and replace the spa pillows:

1. Carefully lift one end of the pillow away from the spa shell.
2. Continue lifting one end until it is released from the attachment bar on the spa shell. Do the same to loosen the other end of pillow.

3. To reinstall the spa pillow, carefully bend the pillow slightly to allow the slit on the back of the pillow to slip over the attachment bar retainer on the spa shell.
4. After the pillow slips over the attachment, press the pillow down into the recess in the spa shell.

Important:

Just pulling the pillow straight up and off of the attachment bar will eventually damage the pillow. This abuse is not covered under warranty.

CARE OF THE EXTERIOR

Spa Shell

Adirondack Spas® are manufactured with a tough acrylic surface. Some staining or water marking may occur at or above the water surface. Removal of these surface conditions can usually be accomplished with a soft cloth by merely wiping them away. Stubborn stains can be removed first by draining the spa and then using a nonabrasive product. Always thoroughly rinse off any spa shell cleaning agent with fresh water.



Keep all cleaners out of the reach of children and use care when applying.

Spa Cabinet

The skirt around the Adirondack Spas® models are manufactured with the finest quality material and is available in a low maintenance exterior.

WeatherAll™ Skirt

The WeatherAll™ skirt combines the durability of plastic with the look of professionally finished wood. To remove any stains or dirt simply spray the skirt with water and wipe down with a soft cloth. WeatherAll™ is not designed to be stained or resealed.

Note: WeatherAll™ could experience natural fading due to sunlight and weather exposure. This condition is not covered under warranty.

CARE OF THE SPA COVER

Vinyl Cover

Your vinyl thermal spa cover has been designed for your particular spa. Monthly cleaning and conditioning is recommended to maintain its beauty.

To clean and condition the vinyl cover:

1. Remove the cover from the spa and gently lean it against a wall or fence.
2. With a garden hose, spray the cover to loosen and rinse away dirt or debris.
3. Using a large, non-abrasive sponge and using a very mild soap solution (one teaspoon dish washing liquid with two gallons of water) scrub the vinyl top in a circular motion. Make sure to rinse all soap off the cover before it dries.
4. Scrub the cover's perimeter and side flaps. Rinse clean with water.
5. Rinse off the underside of the cover with water only (use no soap), and wipe it clean with a dry rag.
6. To condition the cover after cleaning, apply a thin film of saddle soap (follow directions on the container) or vinyl conditioning cream.

Important reminders:

- **Do** unlock and release all cover locks before attempting to open cover.
- **Do** remove snow buildup to avoid damage of the foam core from the additional weight of the snow (not covered under warranty).
- **Do** lock cover lock straps to secure the cover when the spa is not in use.
- **Do not** drag or lift the spa cover using either the flaps, or the cover tie downs.
- **Do not** walk, stand, or sit on the cover.

Important:

Whenever the spa is not in use it is essential that the thermal cover be kept in place. When filled this ensures effective temperature maintenance and economical operation. When empty this prevents potential damage to the spas surface finish that can result from excessive heat caused by the sun. This type of damage is specifically excluded from warranty protection. It is recommended that the thermal cover tie downs always be used to discourage access to the spa by unsupervised children and minimize heat loss.

*The spa cover manufacturer handles all warranty claims. Adirondack Spas® does not handle any warranty issues on the spa cover. Every Adirondack Spas® is equipped with a locking cover that meets the ASTM F1346-91 standard for safety covers.

WINTERIZING YOUR SPA

If you chose not to use your Adirondack Spas® model during the winter, it is recommended to properly winterize your spa. Any damage occurring due to accidental freezing of the spa is not covered under warranty.

The following steps are designed to protect your spa from freezing if followed. For ultimate protection against freeze damage to your spa, contact your local Adirondack Spas® Dealer to schedule a winterizing service plan.

1. Turn power off to the spa. Trip GFCI breaker.
2. Unscrew panel screws. Remove access panel.
3. Locate the drain valve and attach a garden hose to the drain valve.
4. Open the drain valve and allow the water to drain (Adirondack Spas® will drain to the drain fitting in the footwell of the spa).
5. Remove filter cartridges and screen adaptors. Clean and store in a dry place.
6. Using a wet/dry Shop Vac vacuum, soak up the water remaining on the bottom of the spa.
7. Open unions at the heater and at the pump(s). Remove pump(s) from spa. Vacuum water from return and suction sides of the plumbing on the pump(s). Vacuum any water from heater housing. Leave unions at the heater and at the pump(s) open.
8. Reverse vacuum and blow out each line of the plumbing going into the pump(s).

Important:

Do not use ethylene glycol based antifreeze. This type of antifreeze is toxic and can damage the spa surface.

9. Place the vacuum hose down the filter cartridge openings and vacuum any water from filter compartment.
10. With a shop vac, go to every jet in the spa (including suction fittings) and place vac hose over the face of every jet and vacuum out any water left in the lines. Reverse vac hose and force air through each jet.
11. Wipe down spa shell with a soft clean cloth.
12. Place spa cover over spa and lock into place.
13. To restart the spa, connect all hoses and close all unions. Once all the hoses, jet valve assemblies, and pump unions are reattached, follow the normal fill-up procedures. It may be necessary to flush the spa depending on the amount of antifreeze used.

Note: It may be necessary to lubricate o-rings and gaskets for a positive seal. Use only Adirondack Spas® approved lubricants, contact your local dealer for more information.

Important:

If these instructions are not followed, damage due to freezing water in the plumbing lines may occur and is not covered under manufacturer's warranty.

* Not available on the Adirondack Spas® SE Line. The two speed jet pump is used on low speed during filtration cycles.

WATER QUALITY MAINTENANCE

General Information

As the owner of an Adirondack Spas® model, endless hours of entertainment, recreation, and relaxation await you. Caring for your spa will become a routine and pleasant part of your daily activities. You will be able to maintain your spa water and keep your spa equipment in excellent condition. To do so you first must balance your spa's water.

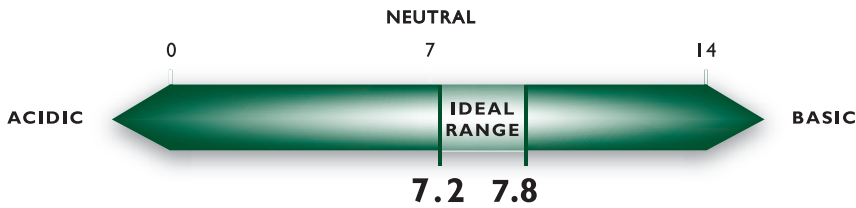
Balanced Water

Balanced water ensures spa bathers safety as well as protecting the spa heater and components from corrosion. Also, balanced water protects the spa surface from unsightly scale deposits, which reduce the efficiency of the spa equipment. You can obtain balanced water by correctly adjusting a few chemical components in the water. Specifically, you will need to adjust the pH, total alkalinity and calcium hardness

Note: Improper water chemistry can result in product failure and invalidate your warranty.

pH

pH is measured on a scale that runs from 0-14. pH indicates whether water is neutral, acidic, or basic. The drawing below shows a pH equal to 7.0 is neutral. A pH below this point is acidic and a pH above this point is basic. **Test pH weekly.**



Recommended Range - 7.2 to 7.8

If the pH is too low it can

1. Corrode metal surfaces.
2. Use excess sanitizer.
3. Irritate bathers' skin and eyes.

If the pH is too high it can

1. Deposit scale on surfaces.
2. Contribute to cloudy water.
3. Cause eye irritation.
4. Reduce sanitizer efficiency.

Adjusting pH

To raise pH add a granular pH Increaser or sodium carbonate at the rate suggested on the container. To lower pH add a granular pH Decreaser, or sodium bisulfate at the rate suggested on the container. After initial application, allow water to circulate approximately 20 minutes on Jets 1 at high speed. Test pH and add second dose if required. (Adirondack Spas® Jets 1 operates 15 minutes)

Total Alkalinity

There are minerals in your spa water that act as buffering agents. Total alkalinity is the measurement of these alkaline materials that help prevent corrosion and staining. The correct amount of alkalinity in your spa water will keep the water's pH consistent while allowing for economical pH adjustment when necessary.

Example: At low total alkalinity levels, the water's pH easily drifts, making frequent pH adjustments necessary and the added expense of multiple chemical treatments.

On the other hand, a high total alkalinity level keeps the water pH rigidly fixed. If pH adjustment is necessary, you will need unusually large amounts of treatment chemicals to change the water's pH.

Recommended Range: 80 to 120 Parts Per Million (PPM)

Potential Problems:

1. pH difficult to maintain. If total alkalinity is too low, pH will drift.
2. Corrosive tendencies. If total alkalinity is too high:
 - pH difficult to adjust (it remains fixed.)
 - Cloudy water.
 - Potential for scaling.
 - High pH and low sanitizer efficiency.

Note: The use of Biguanide, Salt generators and other after market sanitizer/ disinfectant systems may damage components and void your spa's warranty.

TESTING WEEKLY

Adjusting Total Alkalinity

Total Alkalinity can be raised with Alkalinity Increaser, or sodium bicarbonate at the manufacturer's recommendation for dosage.

Calcium Hardness

Calcium hardness is the amount of dissolved calcium in your spa water. Too little calcium in the water will etch plaster surfaces, too much will leave deposits on surfaces and equipment.

Recommended Range: 125-150

Potential Problems:

Calcium Hardness Too Low

- Some surfaces may be etched.
- May lead to equipment corrosion.

Calcium Hardness Too High

- May contribute to cloudy water.
- Scaling of surface, piping and equipment.

Adjusting Calcium Hardness

Raise hardness by the addition of calcium chloride. Decrease calcium hardness by draining spa and replacing with water containing lower levels of calcium hardness.

Disinfectant

- Brominating Tablets, Granular Bromine and Granular Chlorine are popular disinfectants and are particularly well suited to compliment your ozone purification system spa. They are also very suitable products in water with elevated temperatures.
- Brominating Tablets and Granular Bromine are effective as a spa water sanitizer and disinfectant. Follow manufacturer's directions for proper dosage. It is recommended to maintain an active bromine residual of 2.0 to 4.0 ppm.
- Granular Chlorine (Dichlor Dihydrate, Lithium Hypochlorite), is designed to dissolve quickly and completely, provide a steady source of available chlorine to control the growth of algae, kill bacteria and destroy organic contaminants. It is recommended to maintain a chlorine residual of between 1.0 and 3.0 ppm. Non-Chlorine type shock will oxidize or destroy most of the organic contaminants that result from bather load. This quick acting oxidizing shock treatment goes to work almost immediately improving water quality and eliminating irritating wastes and odor. This product is intended to be a shock treatment only, and is not a disinfectant.

Shock Treatment with Granular Disinfectant

Adding granular chlorine or bromine disinfectant to the water in amounts much larger than normal is called “shocking” the spa and should not be confused with non-chlorine shock. An occasional shock treatment destroys algae, bacteria, and chloramines. After shocking your spa, do not allow bathers to enter the spa until disinfectant levels drop to normal.

What Causes Loss of Disinfectant?

- **Algae:** The presence of algae will consume large amounts of disinfectant. If you have an algae problem, the use of an algaecide in addition to disinfectant may be necessary.
- **Bather Load:** The greater the number of people using your spa, the more disinfectant you will need to use.
- **Improper pH:** A high pH above 7.8 substantially retards disinfecting. Keep the pH between 7.2 and 7.8.
- **Sunlight:** The sun’s Ultraviolet (UV) rays readily dissipate disinfectant levels.
- **Water Temperature:** High water temperature accelerates the loss of disinfectant.
- **Weather:** Rain and wind can carry a significant amount of contaminants into your spa.

Remember to Maintain:

- pH 7.2 to 7.8
- Total alkalinity 80 to 120 ppm
- If using brominating tablets, the proper level in dispenser
- Maintain granular chlorine residual level at 1.0 to 3.0 ppm
- Maintain bromine residual level at 2.0 to 4.0
- Calcium hardness 125-150
- Non-chlorine shock weekly or as needed based on spa use
- Test pH, total alkalinity and calcium hardness weekly
- Test disinfectant daily (Spa test kits are available through your Adirondack Spas® Dealer.)

Optional Ozone Generators

Adirondack Spas® are designed ozone ready. The optional ozonator automatically produces ozone when pump 1 is operating on low speed, unless it is overridden by another system protection mode. (For ozone trouble shooting see page 47) The Ozone generator and is a dealer installed item and will need to be replaced approximately every two years. This is a non-warranty item.

What is Ozone?

Ozone is nature’s natural purifier. It is a chemical known as O₃ and is produced from simple oxygen molecules in our atmosphere. Ozone will breakdown and oxidize oils, greases, suntan lotions, sweat, urea, etc. from spa water more effectively than any other oxidizer commercially available. Ozone also assists chlorine, or bromine, to destroy bacteria and viruses and will do so more effectively. Ozone only leaves simple oxygen in the water as a by-product.

How is Ozone Produced?

Ozone is produced in nature from lightning during electrical storms and is also produced from ultraviolet rays from the sun to form our protective ozone layer. Your ozone converter unit is designed to duplicate this natural sanitizer.



Always follow instructions and dosages listed by chemical manufacturers. Use only spa chemicals in your spa. Do not mix chemicals or add chemicals during bather use.

SE OPERATIONS TROUBLE SHOOTING GUIDE

PROBLEM	PROBABLE CAUSE	SOLUTIONS
Spa is not operating	• Power failure	• Check power source
	• GFCI breaker tripped	• Try resetting GFCI breaker. If breaker continues to trip, contact your dealer.
	• Main Fuse Class G	• Contact Dealer
	• Transformer Fuse	• Contact Dealer
Spa is not heating	• Dirty filters	• Clean the filters
	• Air trapped in circulation line	• Using a garden hose, force water through filter cartridge opening or loosen the bottom heater union to allow trapped air to escape.
	• Sensor A or B not working	• Contact your dealer
Poor or no water flowing through the jets	• Dirty filters	• Clean the filters
	• Inadequate water level	• Fill spa to 2" above filters
	• Air lock	• Prime the pump(s) by loosening unions on the pump(s) until air can be heard escaping, then tighten unions.
	• Closed Valve	
	• Closed Jets	• Check Diverter Valves and jets are open.
Spa light out	• Burned out bulb	• Replace with new bulb
	• Light not turned on	• Press the light key to desired style and performance
	• Fuse	• Contact your dealer
Pump(s) turn off unexpectedly	• Automatic 15 minute shut off	• Press jets button again to start another 15 minute cycle
	• Pump(s) may have overheated. Built in protective overheat shut off	• Let pump sit for about 10-15 minutes. Allow pump to cool down, keep vented areas on access panel free from blockage.
	• Pump #2 Fuse	• Contact your dealer

LE MODELS OPERATIONS TROUBLE SHOOTING GUIDE

PROBLEM	PROBABLE CAUSE	SOLUTIONS
Spa is not operating	• Power failure	• Check power source
	• GFCI breaker tripped	• Try resetting GFCI breaker. If breaker continues to trip, contact your dealer.
	• Main Fuse Class G	• Contact Dealer
	• Transformer Fuse	• Contact Dealer
Spa is not heating	• Dirty filters	• Clean the filters
	• Temperature setting too low	• Increase the set temperature
	• Air trapped in circulation line	• Using a garden hose, force water through filter cartridge opening or loosen the bottom heater union to allow trapped air to escape.
	• Sensor A or B not working	• Contact your dealer
	• Spa could be in Economy (ECN) or sleep (SLP) mode	• Press the TEMP then JETS button to adjust Heat Modes. FC is continuous, operates same as standard mode setting
Poor or no water flowing through the jets	• Dirty filters	• Clean the filters
	• Inadequate water level	• Fill spa to 2" above filters
	• Air lock	• Prime the pump(s) by loosening unions on the pump(s) until air can be heard escaping, then tighten unions.
Spa light out	• Burned out bulb	• Replace with new bulb
	• Light not turned on	• Press the light key to desired style and performance
	• Fuse	• Contact your dealer
Pump(s) turn off unexpectedly	• Automatic 15 minute shut off	• Press jets button again to start another 15 minute cycle
	• Pump(s) may have overheated. Built in protective overheat shut off	• Let pump sit for about 10-15 minutes. Allow pump to cool down, keep vented areas on access panel free from blockage.
	• Pump #2 Fuse	• Contact your dealer

SE/LE MODEL OPERATIONS TROUBLE SHOOTING GUIDE

PROBLEM	PROBABLE CAUSE	SOLUTIONS
Spa jets/ pump(s) turn on automatically	• Normal purge filtration cycle	• No action necessary
	• "Ice Mode" (LE) • "42°F Too Cold" (SE)	• No action necessary
Not able to operate main control panel	• Panel may have malfunctioned • Screen may be in "Lock" mode (SE)	• Contact your dealer • See page 26 (SE)
Water does not clear up	• Bad water chemistry	• Balance water
	• Dirty filter cartridges	• Clean or replace filters
	• Ozone generator not operating	• Locate ozone generator, a purple ultraviolet light should be illuminating in the ozone generator
	• Bromine/chlorine residual levels too low	• Adjust Bromine/chlorine levels. Shock if necessary. May have to replace water

CONTROL PANEL ICON IDENTIFICATION



SE Model

LE Model



Note: The Keene, Champlain and Caroga models have only one jet pump button on the panel.

SERVICE AND WARRANTY INFORMATION

General Service Information

Adirondack Spas® models have been designed to provide years of trouble-free use. As with any appliance, problems may occasionally occur that require the expertise of a qualified service person. Though such simple repairs as resetting a GFCI switch or breaker, resetting a high limit thermostat or replacing a light bulb may not require a service call, they may indicate that a more serious condition exists. These conditions may require an experienced service person. Before calling for service, please refer to the Troubleshooting Guide.

Note: Always retain your original sales receipt for future reference.

Acts Invalidating Warranty

The limited warranty is void if your Adirondack Spas® model has been improperly installed, subjected to alteration, misuse, or abuse, or if any repairs on the spa are attempted by anyone other than an authorized representative of the manufacturer of Adirondack Spas®. Alteration shall include any component or plumbing change, electrical conversion, or the addition of any non-approved sanitation or water purification device, or heating system that contributes to component or unit failure or unsafe operating system. Misuse and abuse shall include any operation of the spa other than in accordance with the manufacturer of Adirondack Spas® printed instructions, or use of the spa in an application for which it is not designed; specifically: use of the spa in a non-residential application; damage caused by operation* of the spa at water temperatures outside the range of 35°F and 120 °F; damage caused by a dirty, clogged or calcified filter cartridge; damage to the spa components or spa surface determined to have been caused by improper water maintenance or improper use of chemicals (refer to pages 37-44 of this owners manual); damage caused by allowing undissolved spa sanitizing chemicals to lie on the spa surface (no spa surface material can withstand this kind of abuse); and damage to the spa surface caused by leaving the spa uncovered while empty of water and in direct exposure to sunlight (this may cause solar heating distress in warm weather regions). These are considered abuses and may invalidate this warranty.

Acts of nature, and damage caused by animals, rodents, and insects are considered abuses and are not covered under this warranty.

*Operation of the spa does not mean “use” of the spa. The manufacturer of Adirondack Spas® does not recommend using the spa if the water temperature is above or below the spa’s control panel temperature range.

DISCLAIMERS

The manufacturer of Adirondack Spas® shall not be liable for loss of use of the Adirondack Spas® model or other incidental, consequential, special, indirect, or punitive costs, expenses or damages, which may include but are not limited to the removal of a permanent deck or other custom fixture or the necessity for crane removal. Any implied warranty shall have a duration equal to the duration of the applicable limited warranty stated above. Some states do not allow limitations on how long an implied warranty lasts. Under no circumstances shall the manufacturer of Adirondack Spas® or any of its representatives be held liable for injury to any person or damage to any property, however arising.

Some states do not allow the exclusion or limitation of incidental or consequential damages, so the above limitations may not apply to you.

SPA CARE AND MAINTENANCE RECORD

DATE

Drain and Clean Spa Shell

Spray Clean Filter Cartridge

Soak Filter Cartridge

Complete Spa Water Balance

Clean and Condition Vinyl Spa Cover

Winterize Spa

Miscellaneous Service

<i>DATE</i>	<i>Drain and Clean Spa Shell</i>	<i>Spray Clean Filter Cartridge</i>	<i>Soak Filter Cartridge</i>	<i>Complete Spa Water Balance</i>	<i>Clean and Condition Vinyl Spa Cover</i>	<i>Winterize Spa</i>	<i>Miscellaneous Service</i>

33 Wade Road
Latham, NY 12110
1-800-444-9977
fax: 518-782-0632
www.SaratogaSpas.com

#25010-7/14