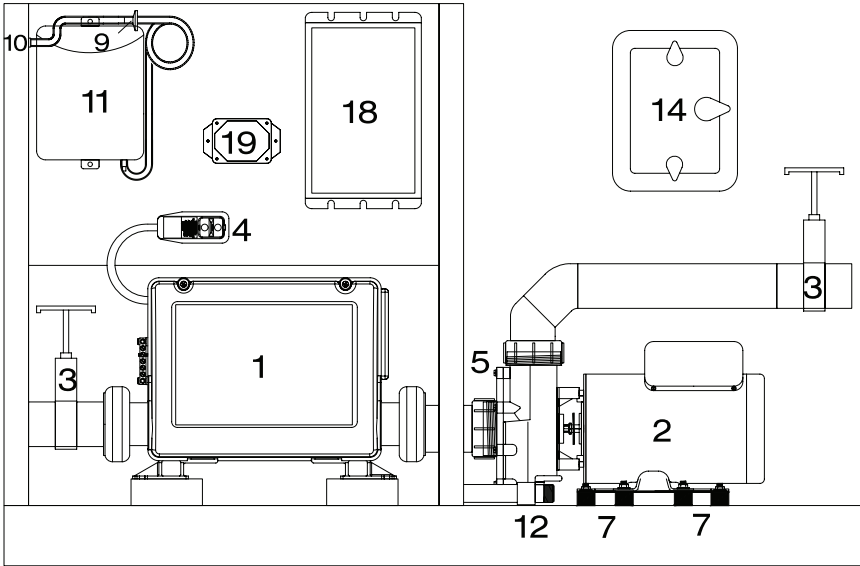


#	Component Identification	Qty.
1	HK™8 Jets Neck Jets	2
2	HK™12 Jets	4
3	HK™16 Jets	8
5	Light (option)	1
7	Suction Fitting	1
8	Floor Drain	1
9	Air Control	1
10	Neck Jet Valve	1
11	Bather's Control Panel	1
12	Filter Canister	1
13	Spa Frog®	1
14	Spa Frog® Return Fitting	1
15	Ozone Injector Fitting	1
16	Waterfall Valve	1
20	Cushioned Headrests	2
21	Adagio™ Speakers (option)	4
22	Water Features	2
Physical Specifications		Size
Dimensions		75" x 75"
Height		29.5"
Corner Radius		12"
Seating Capacity/Positions		2/3
Water Capacity/Gallons		170
Total Therapy Jets		14



#	Component	Quantity
1	Control Box and Heater	1
2	Pump	1
3	Slice Valves	2
4	GFCI	1
5	Pump Unions	2
7	Motor Mounts	4
9	Check Valve (option)	1
10	Ozonator Fitting	1
11	Ozonator (option)	1
12	Drain Valve	1
14	Adagio™ Stereo Head (option)	1
18	Stereo Power Supply (option)	1
19	Constellation™	1